

NOVA METAL ROOF SOLUTION L FEET

PRODUCT SHEET

NOVA SERIES PRODUCTS

The NOVA Tin (Metal) Roof Mounting Solutions is highly versatile and compatible with all metal roofs. It offers a straightforward and cost-effective approach for mounting all solar panels currently available on the market. Our extensive selection of mounting brackets ensures quick and secure installation on sheet metal, purlins, or rafters, catering to various roofing types at angles ranging from 10 to 60°.

Product application: Metal Roof

Warranty: 15 years



FAST & EASY
INSTALLATION



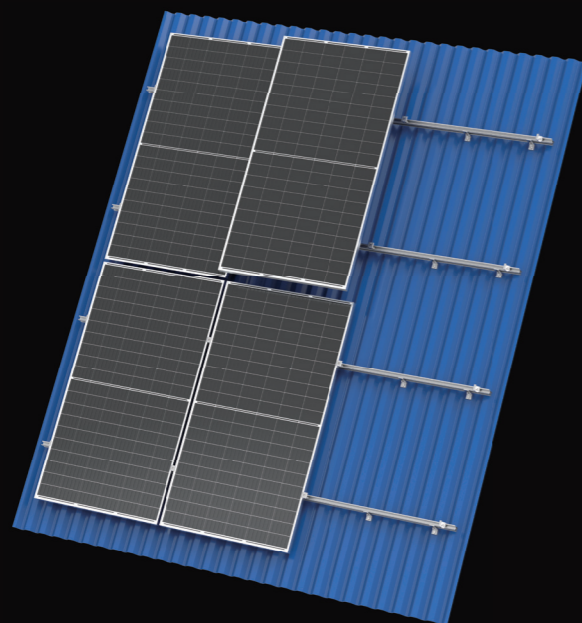
COST EFFECTIVE
SOLUTIONS



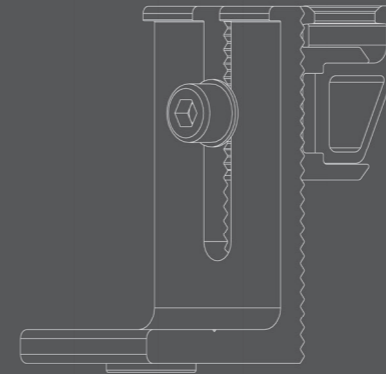
QUALITY
ASSURED



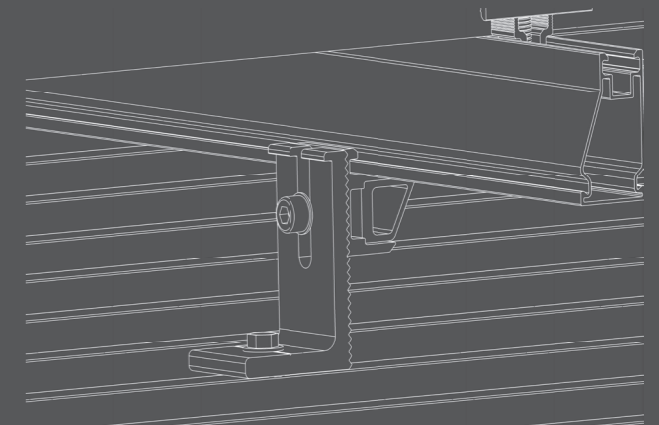
15 YEAR
WARRANTY



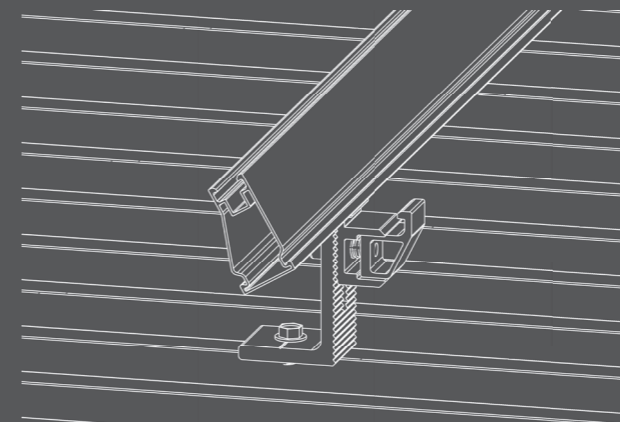
KEY FEATURES



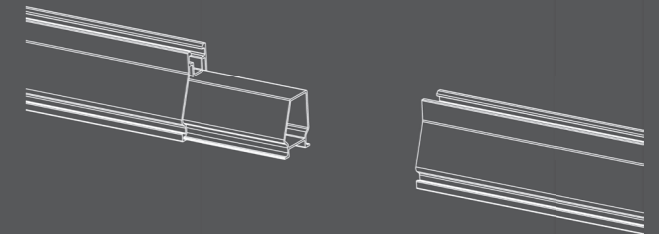
1. Constructed from high quality, structural grade alloys, ensuring corrosion resistant for durability and longevity.



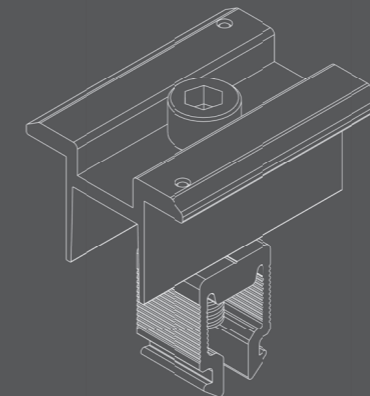
2. The L Feet allows for a considerable range of height adjustability paired with an embedded EPDM rubber for superior water sealing.



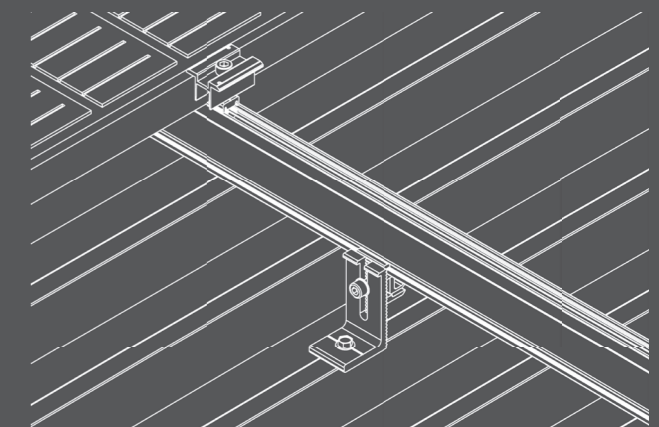
3. Unique clamp system for an effortless rail attachment.



4. The internal rail joiner ensures earth continuity between rails without obstructing component attachment. It seamlessly slides inside the Nova rail, allowing for a smooth and uninterrupted join.



5. The NOVA panel clamps incorporate a user-friendly Clip-in design and integrated earthing pins, eliminating the requirement for an additional grounding plate.



6. NOVA Panel Clamps offer a universal fit, accommodating panel thickness ranging from 30mm to 40mm.

NOVA METAL ROOF SOLUTION TILT LEGS

PRODUCT SHEET

NOVA SERIES PRODUCTS

The NOVA Tin (Metal) Roof Mounting Solutions is highly versatile and compatible with all metal roofs. It offers a straightforward and cost-effective approach for mounting all solar panels currently available on the market. Our extensive selection of mounting brackets ensures quick and secure installation on sheet metal, purlins, or rafters, catering to various roofing types at angles ranging from 10 to 60°.

Rear Leg Adjustable Angles: 10 -15°, 15-30°, 30-60°.

Product application: Metal Roof

Warranty: 15 years



FAST & EASY
INSTALLATION



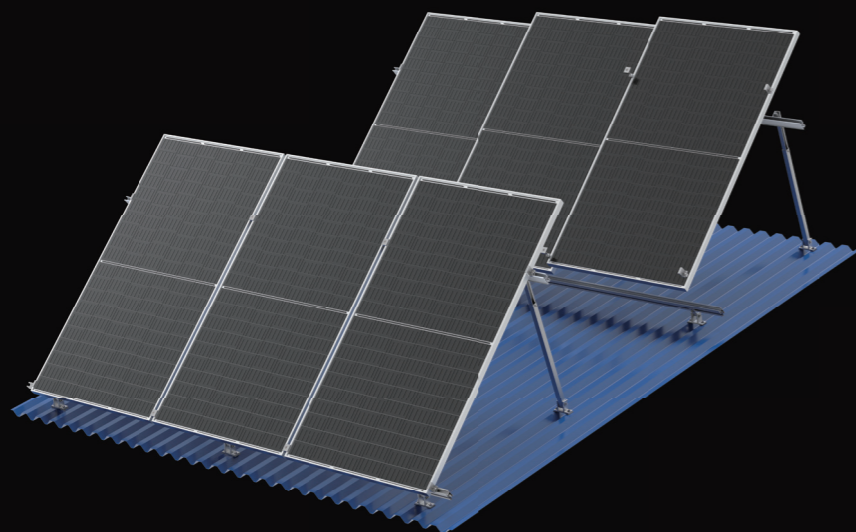
COST EFFECTIVE
SOLUTIONS



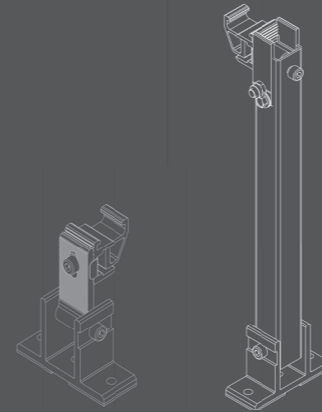
QUALITY
ASSURED



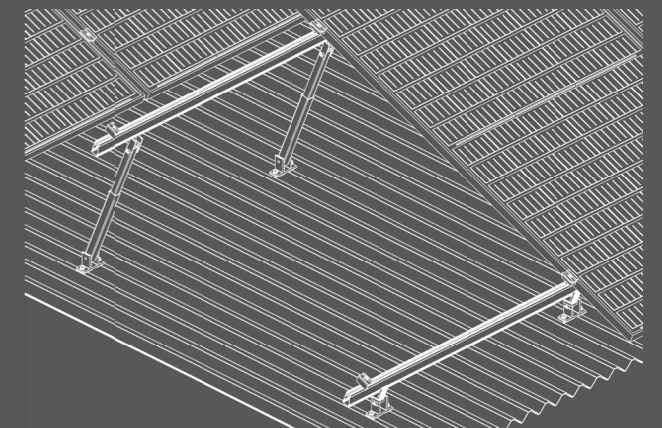
15 YEARS
WARRANTY



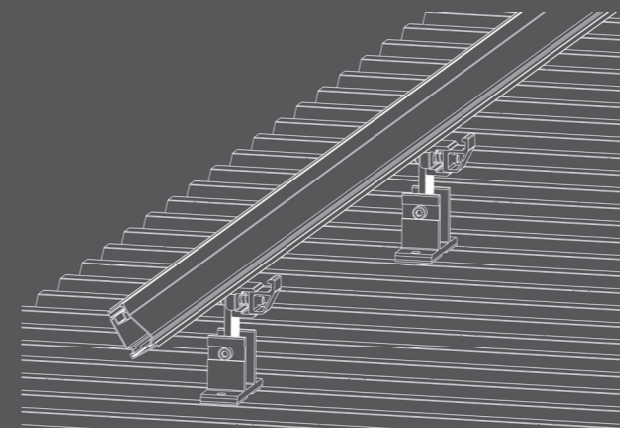
KEY FEATURES



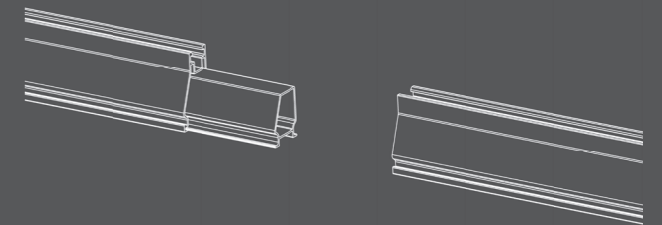
1. Constructed from high quality, structural grade alloys, ensuring corrosion resistant for durability and longevity.



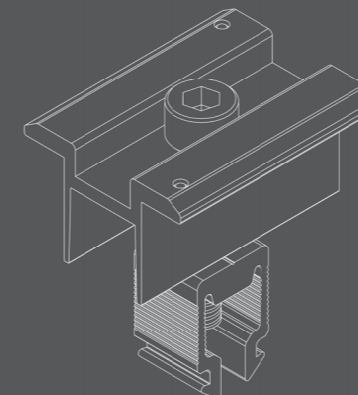
1. Wide range of adjustable tilt angles for every situation.



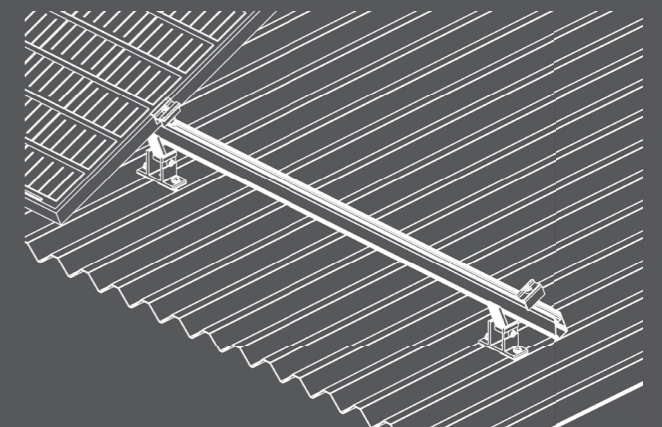
2. Unique clamp system for an effortless rail attachment.



3. The internal rail joiner ensures earth continuity between rails without obstructing component attachment. It seamlessly slides inside the Nova rail, allowing for a smooth and uninterrupted join.



4. The NOVA panel clamps incorporate a user-friendly clip-in design and integrated earthing pins, eliminating the requirement for an additional grounding plate.



5. NOVA Panel Clamps offer a universal fit, accommodating panel thickness ranging from 30mm to 40mm.

NOVA METAL ROOF SOLUTION A-FRAME

PRODUCT SHEET

NOVA SERIES PRODUCTS

The NOVA Tin (Metal) Roof Mounting Solutions is highly versatile and compatible with all metal roofs. It offers a straightforward and cost-effective approach for mounting all solar panels currently available on the market. Our extensive selection of mounting brackets ensures quick and secure installation on sheet metal, purlins, or rafters, catering to various roofing types at angles ranging from 10 to 60°.

A-Frame Adjustable Angles: 10 -15°, 15-30°, 30-60°.

Product application: Metal Roof & Flat Concrete Roof

Warranty: 15 years



FAST & EASY
INSTALLATION



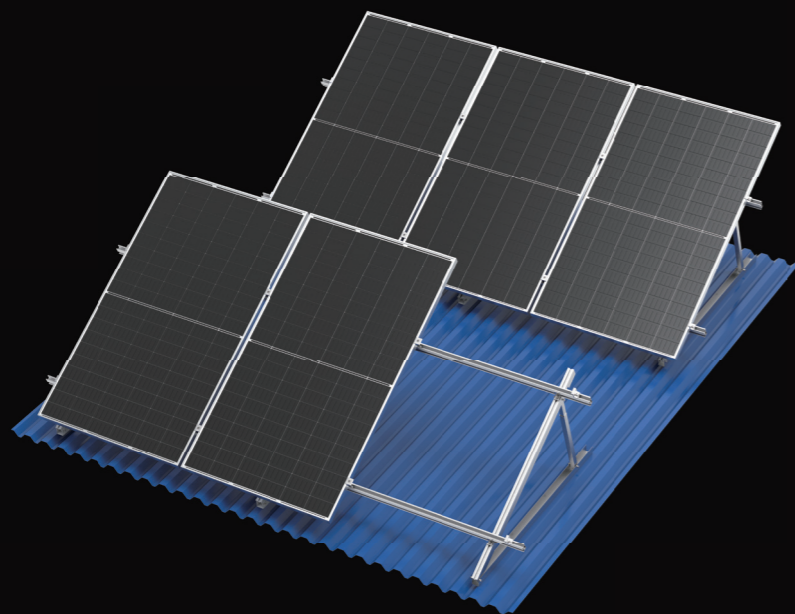
COST EFFECTIVE
SOLUTIONS



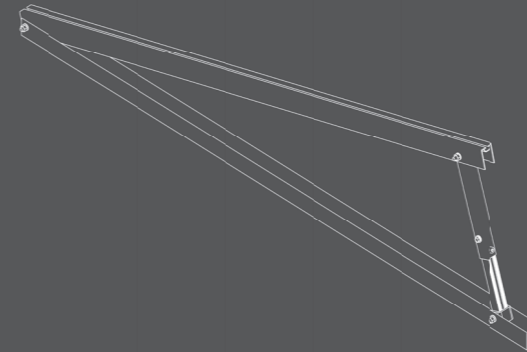
QUALITY
ASSURED



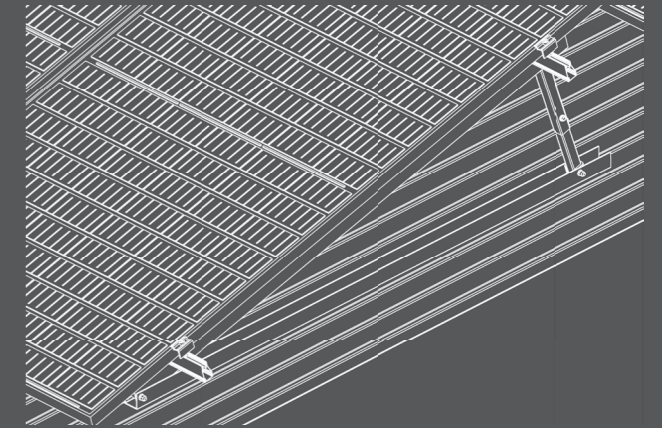
15 YEAR
WARRANTY



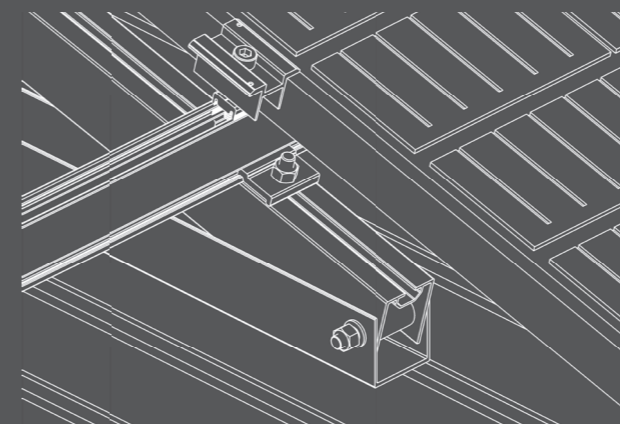
KEY FEATURES



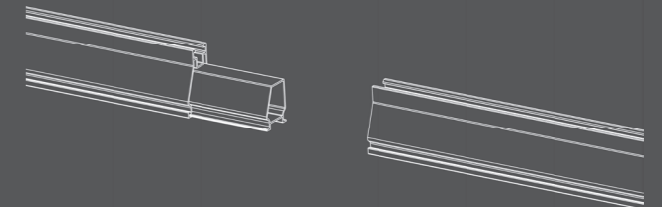
1. Constructed from high quality, structural grade alloys, ensuring corrosion resistant for durability and longevity.



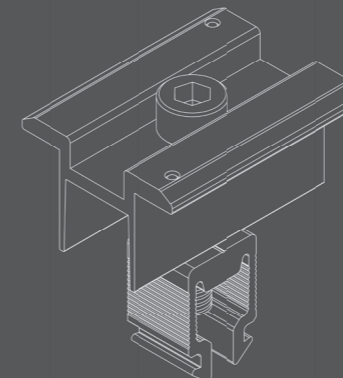
1. Wide range of adjustable tilt angles for every situation.



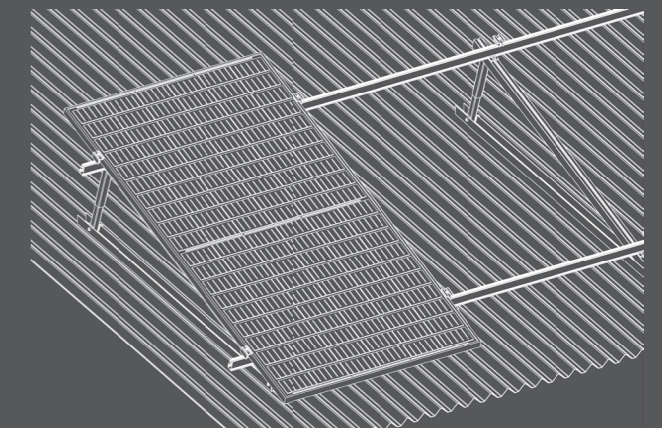
2. Unique clamp system for an effortless rail attachment.



4. The internal rail joiner ensures earth continuity between rails without obstructing component attachment. It seamlessly slides inside the Nova rail, allowing for a smooth and uninterrupted join.



5. The NOVA panel clamps incorporate a user-friendly Clip-in design and integrated earthing pins, eliminating the requirement for an additional grounding plate.



6. NOVA Panel Clamps offer a universal fit, accommodating panel thickness ranging from 30mm to 40mm.

NOVA METAL ROOF SOLUTION HANGER BOLT

PRODUCT SHEET

NOVA SERIES PRODUCTS

The NOVA Tin (Metal) Roof Mounting Solutions is highly versatile and compatible with all metal roofs. It offers a straightforward and cost-effective approach for mounting all solar panels currently available on the market. Our extensive selection of mounting brackets ensures quick and secure installation on sheet metal, purlins, or rafters, catering to various roofing types at angles ranging from 10 to 60°.



FAST & EASY
INSTALLATION



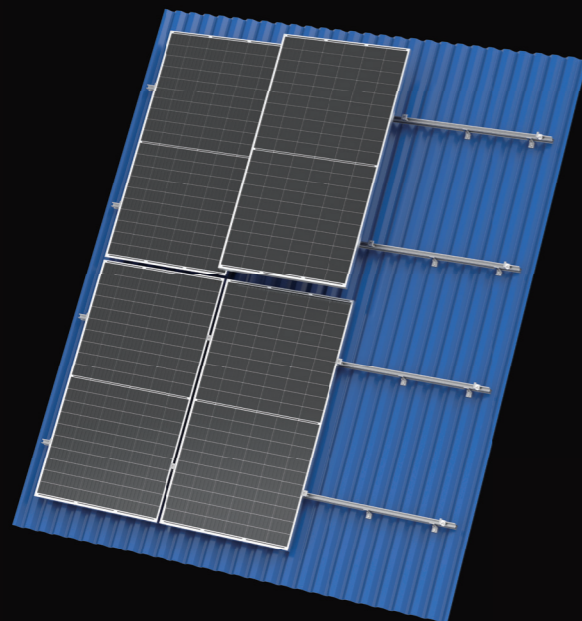
COST EFFECTIVE
SOLUTIONS



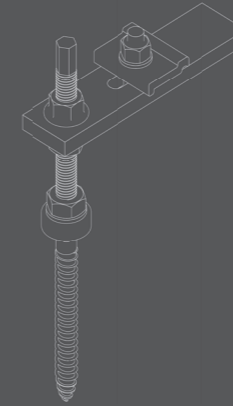
QUALITY
ASSURED



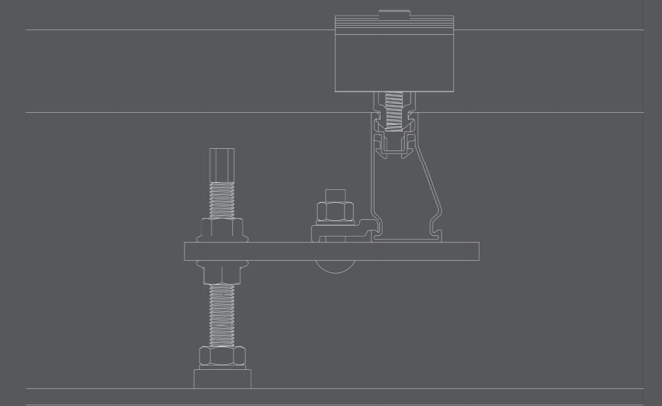
15 YEAR
WARRANTY



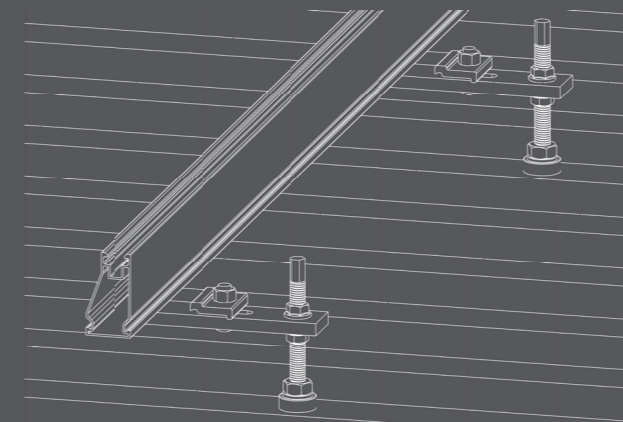
KEY FEATURES



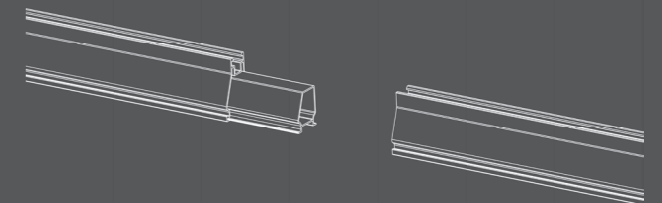
1. Constructed from high quality, structural grade alloys, ensuring corrosion resistant for durability and longevity.



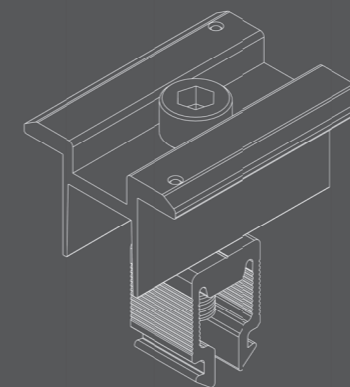
2. Height adjustability for roofing clearance.



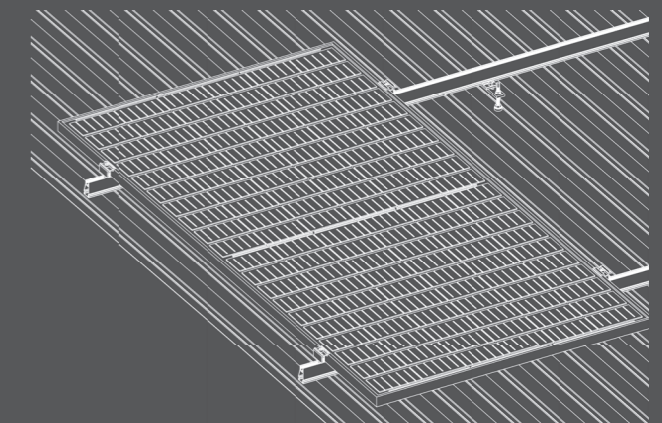
2. Unique clamp system for an effortless rail attachment.



4. The internal rail joiner ensures earth continuity between rails without obstructing component attachment. It seamlessly slides inside the Nova rail, allowing for a smooth and uninterrupted join.



5. The NOVA panel clamps incorporate a user-friendly Clip-in design and integrated earthing pins, eliminating the requirement for an additional grounding plate.



6. NOVA Panel Clamps offer a universal fit, accommodating panel thickness ranging from 30mm to 40mm.

NOVA

METAL ROOF SOLUTION TRAP BRACKET

PRODUCT SHEET

NOVA SERIES PRODUCTS

The NOVA Tin (Metal) Roof Mounting Solutions is highly versatile and compatible with all metal roofs. It offers a straightforward and cost-effective approach for mounting all solar panels currently available on the market. Our extensive selection of mounting brackets ensures quick and secure installation on sheet metal, purlins, or rafters, catering to various roofing types at angles ranging from 10 to 60°.



FAST & EASY
INSTALLATION



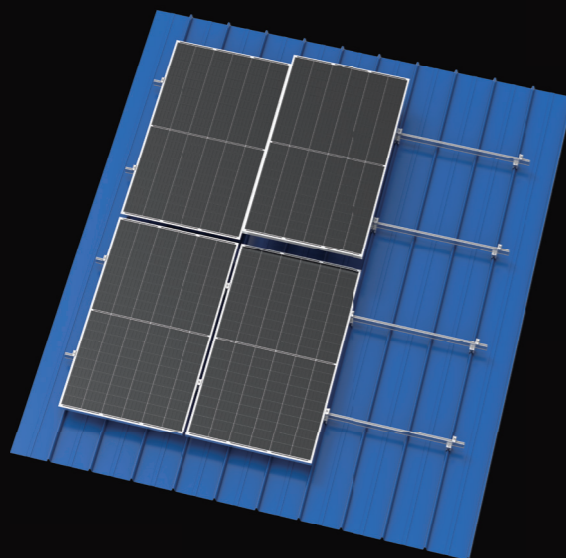
COST EFFECTIVE
SOLUTIONS



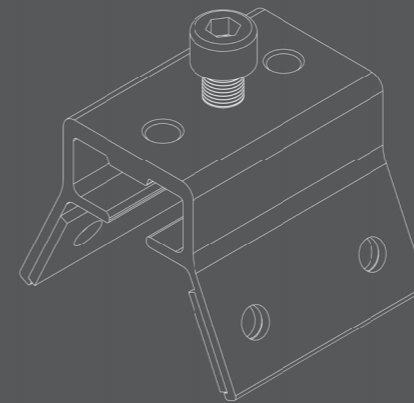
QUALITY
ASSURED



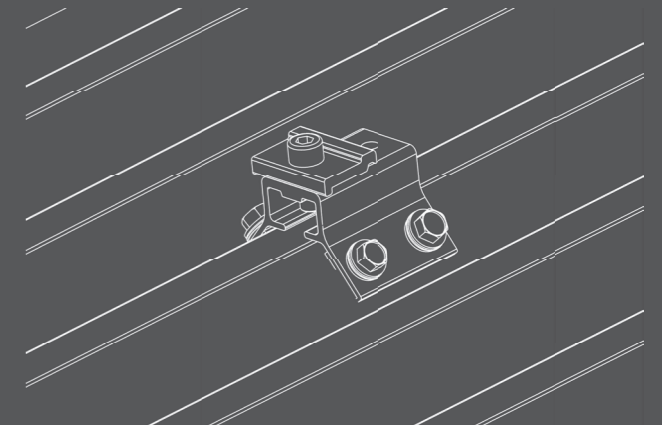
15 YEARS
WARRANTY



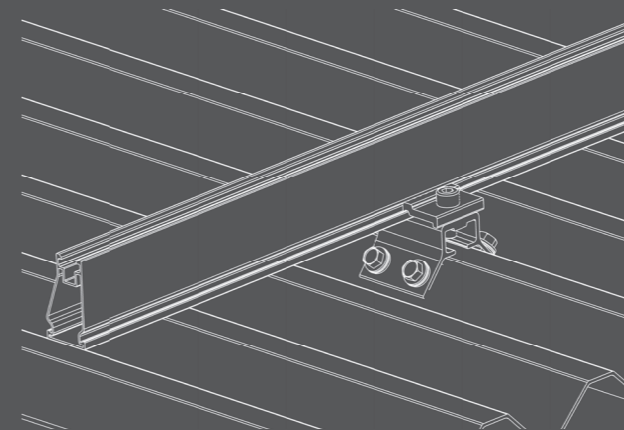
KEY FEATURES



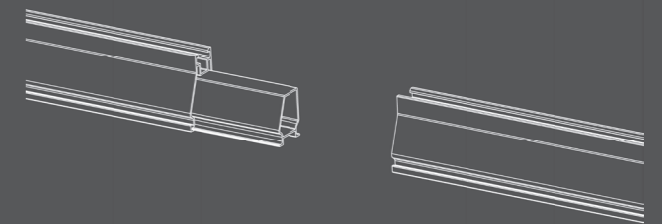
1. Constructed from high quality, structural grade alloys, ensuring corrosion resistant for durability and longevity.



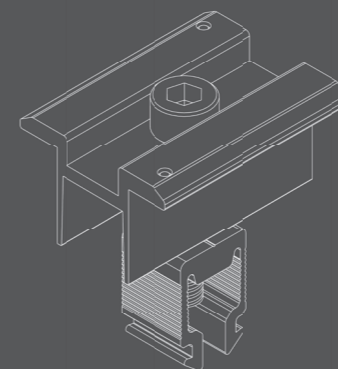
2. Includes EPDM rubber padding for watertight sealing.



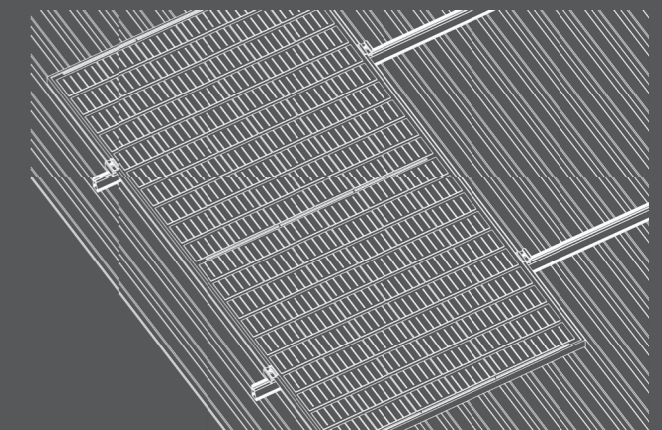
3. Unique clamp system for an effortless rail attachment.



4. The internal rail joiner ensures earth continuity between rails without obstructing component attachment. It seamlessly slides inside the Nova rail, allowing for a smooth and uninterrupted join.



5. The NOVA panel clamps incorporate a user-friendly Clip-in design and integrated earthing pins, eliminating the requirement for an additional grounding plate.



6. NOVA Panel Clamps offer a universal fit, accommodating panel thickness ranging from 30mm to 40mm.