

NOVA

METAL ROOF SOLUTION TRAP BRACKET

PRODUCT SHEET

NOVA SERIES PRODUCTS

The NOVA Tin (Metal) Roof Mounting Solutions is highly versatile and compatible with all metal roofs. It offers a straightforward and cost-effective approach for mounting all solar panels currently available on the market. Our extensive selection of mounting brackets ensures quick and secure installation on sheet metal, purlins, or rafters, catering to various roofing types at angles ranging from 10 to 60°.



FAST & EASY
INSTALLATION



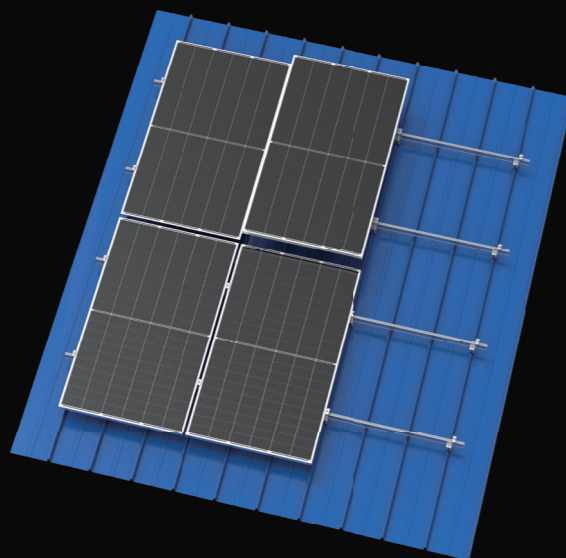
COST EFFECTIVE
SOLUTIONS



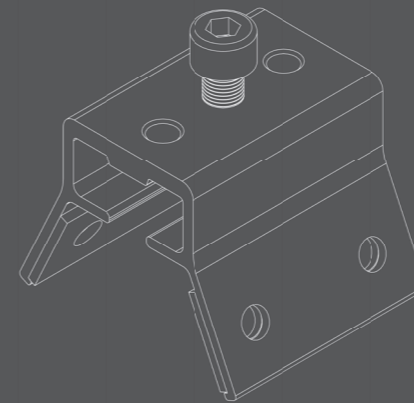
QUALITY
ASSURED



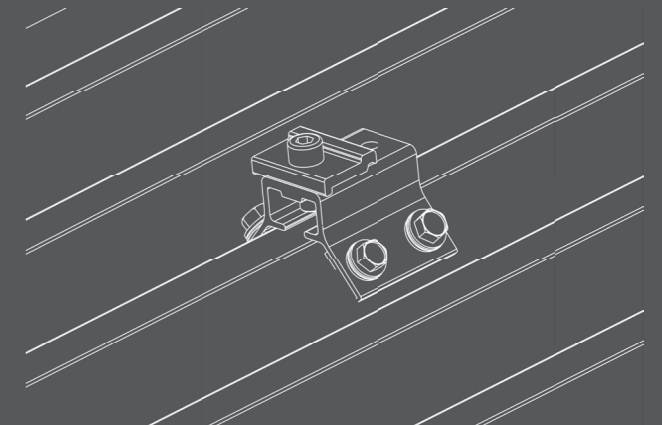
15 YEARS
WARRANTY



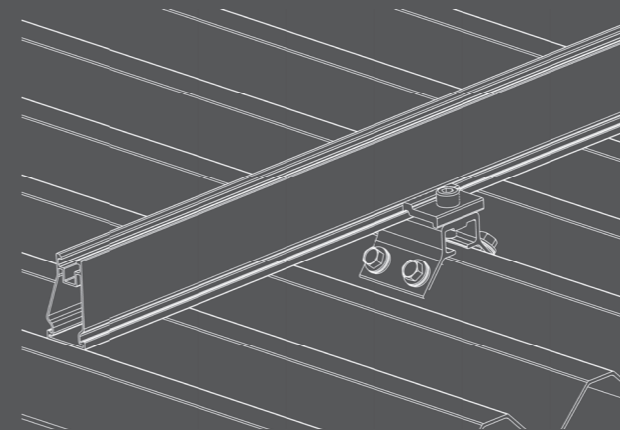
KEY FEATURES



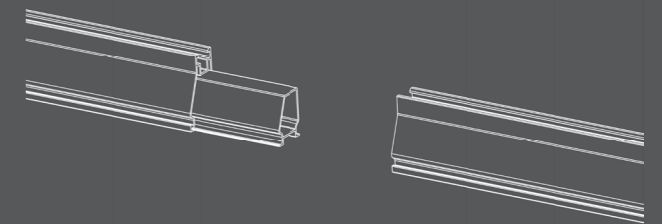
1. Constructed from high quality, structural grade alloys, ensuring corrosion resistant for durability and longevity.



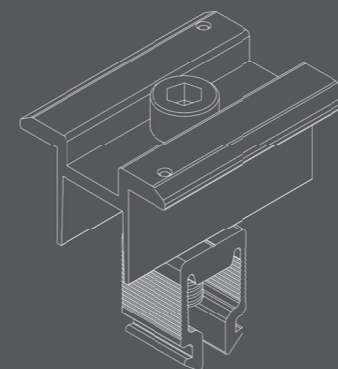
2. Includes EPDM rubber padding for watertight sealing.



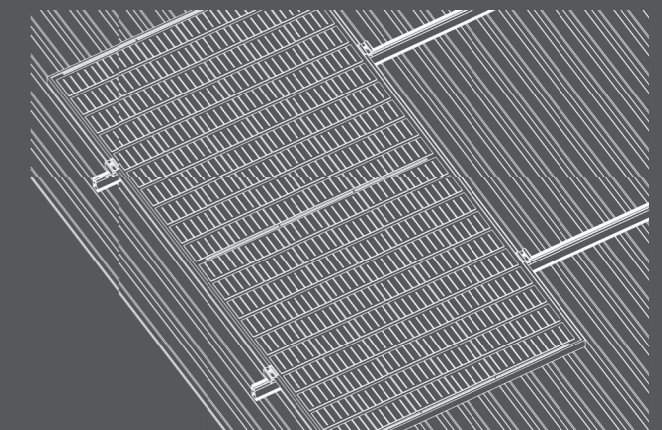
3. Unique clamp system for an effortless rail attachment.



4. The internal rail joiner ensures earth continuity between rails without obstructing component attachment. It seamlessly slides inside the Nova rail, allowing for a smooth and uninterrupted join.



5. The NOVA panel clamps incorporate a user-friendly Clip-in design and integrated earthing pins, eliminating the requirement for an additional grounding plate.



6. NOVA Panel Clamps offer a universal fit, accommodating panel thickness ranging from 30mm to 40mm.