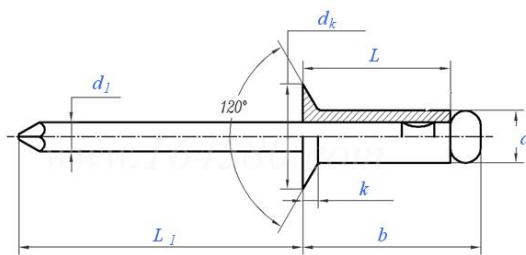


Product Specification

Open Oval Head Rivets Ver: 1.0



Name Open Oval Head Rivets

Stock Code

Weight(kg)

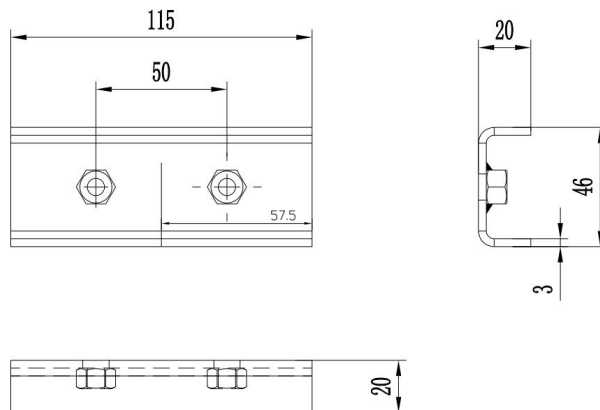
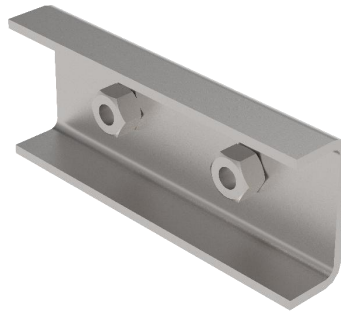
BOM D4*10 Open end blind rivets with flat round head (SUS304) x 1

Packing

Carton size TBA

Product Specification

HOP-L50-0000 Ver: 1.0



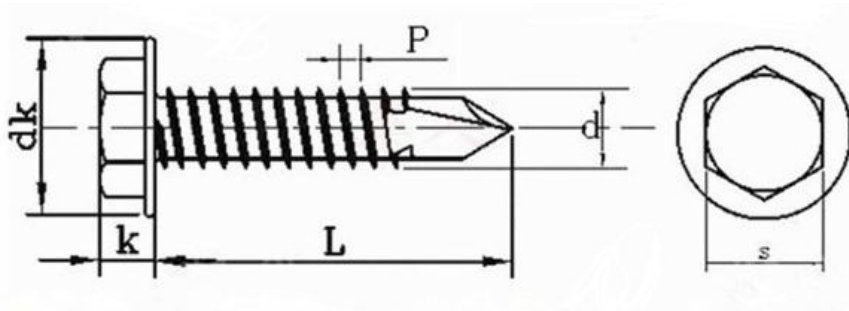
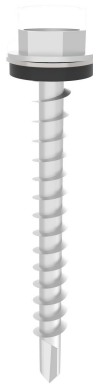
Name	Connector
Stock Code	L50-0000
Weight(kg)	0.21

BOM HOP-L50-0115 (Q235) x 1

Packing	
Carton size	TBA

Product Specification

Self-tapping screw Ver: 1.0



Name Self-tapping screw

Stock Code

Weight(kg)

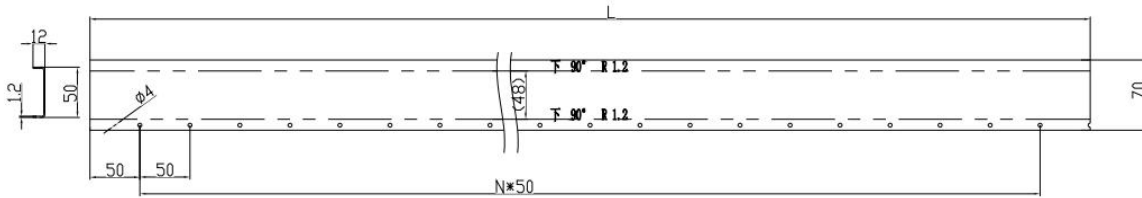
BOM ST6.3*80 Self-tapping screw (SUS 410) x 1

Packing

Carton size TBA

Product Specification

Walkway beam Ver: 1.0



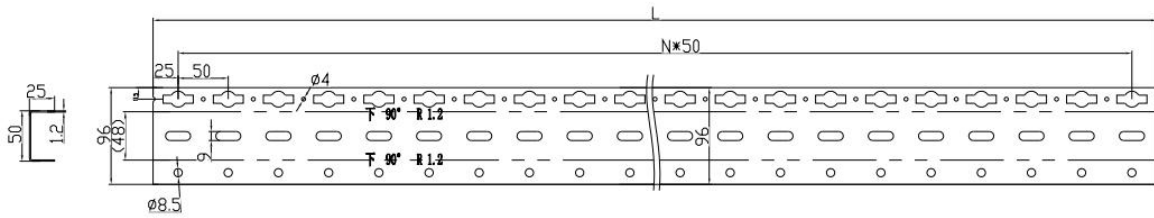
Name	Walkway beam
Stock Code	
Weight(kg)	

BOM HOP-L49-0000 (ZM(Rel≥420) x 1

Packing	
Carton size	TBA

Product Specification

Walkway C base Ver: 1.0



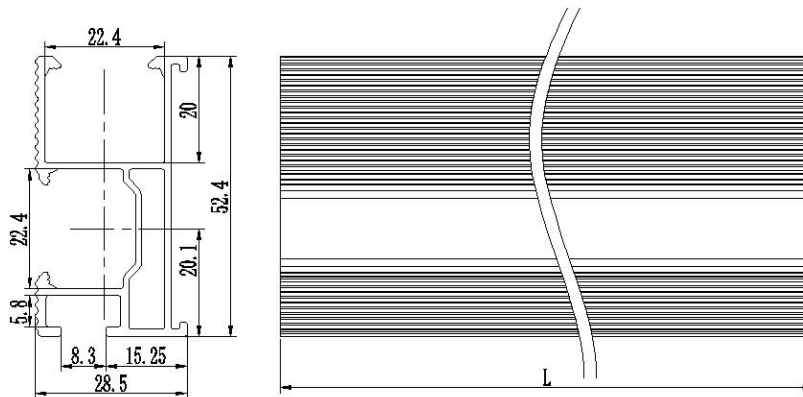
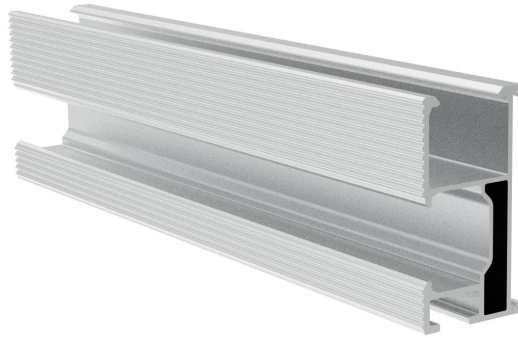
Name	Walkway C base
Stock Code	
Weight(kg)	

BOM HOP-L48-0000 (ZM(Rel≥420) x 1

Packing	
Carton size	TBA

Product Specification

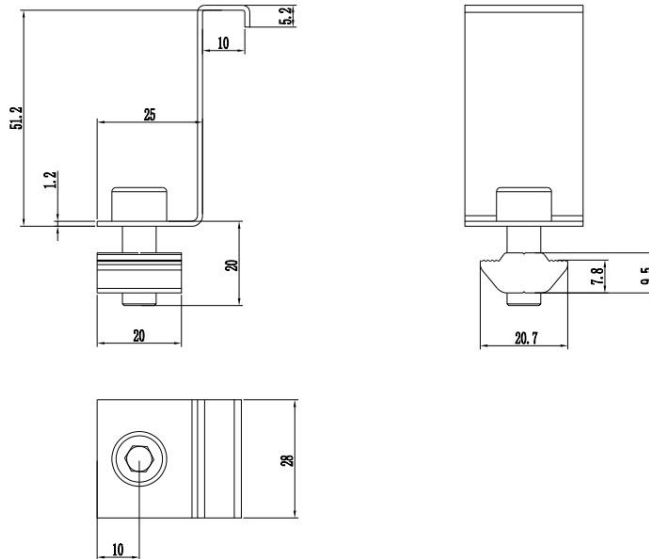
HOP-RA-SSC-0000 Ver: 1.0



Name	SSC Rail
Stock Code	RA-SSC-0000
Weight(kg/m)	0.687
BOM	HOP-F30-0000 (AL6005-T5) x 1
Packing	500pcs
Carton size	TBA

Product Specification

AC-ECW-NS1 Ver: 1.0



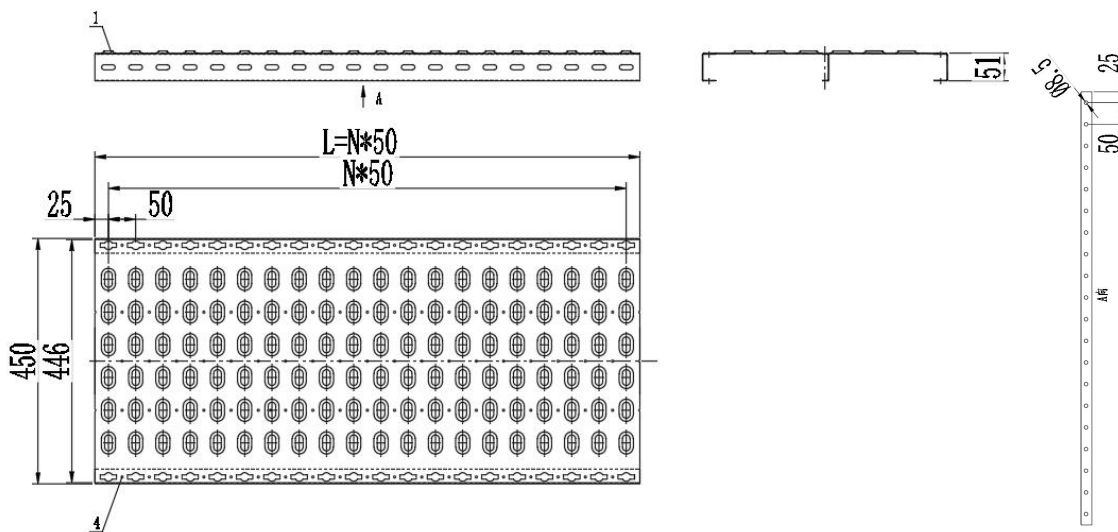
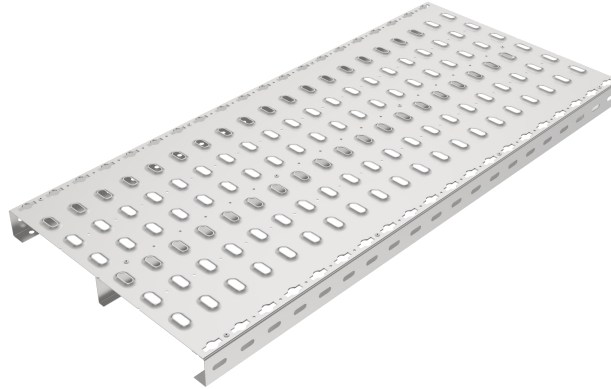
Name	Walkway End Clamp
Stock Code	HOP-AC-ECW-NS1
Weight(kg)	0.043

BOM	HOP-L51-0028 (ZM(Rel≥420) x 1 HOP-G91-0020 (AL6005-T5) x 1 M8*20 Hexagon socket head cap screws (SUS304) x1
------------	---

Packing	
Carton size	TBA

Product Specification

AC-WWO-450 Ver: 1.0



Name	New Walkway
Stock Code	AC-WWO-450
Weight(kg/m)	
BOM	<p>HOP-L47-0000 (ZM(Rel\geq420) x 1</p> <p>HOP-L48-0000 (ZM(Rel\geq420) x 2</p> <p>HOP-L49-0000 (ZM(Rel\geq420) x 1</p> <p>D4*10 Open end blind rivets with flat round head(SUS304) x 12</p>
Packing	
Carton size	TBA