

# NOVA METAL ROOF SOLUTION MINI RAIL

## PRODUCT SHEET

### NOVA SERIES PRODUCTS

The NOVA Mini Rail Mounting System is a PENETRATIVE TIN ROOF system, designed and engineered with its focus on reducing installation times by eliminating the need of traditional full length rail support, making it QUICK & SIMPLE.

The system can be used with any PV panel dimensions and be installed in any orientation.



FAST & EASY  
INSTALLATION



COST EFFECTIVE  
SOLUTIONS



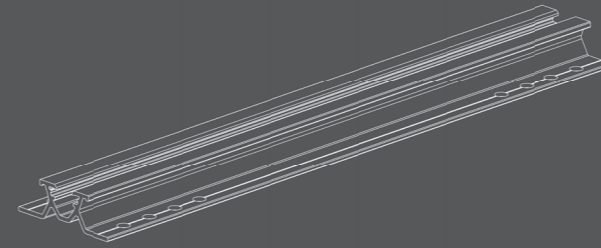
QUALITY  
ASSURED



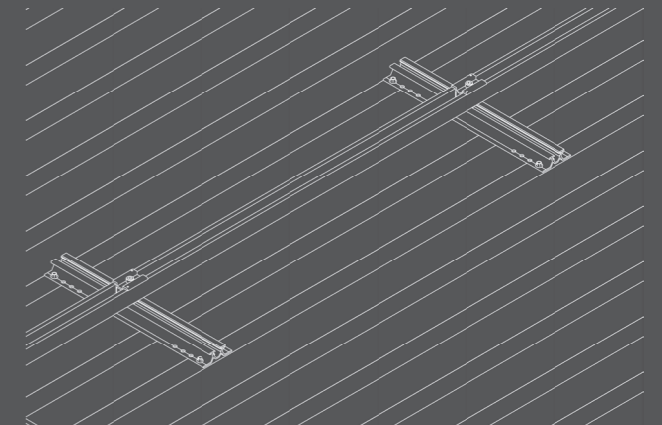
15 YEARS  
WARRANTY



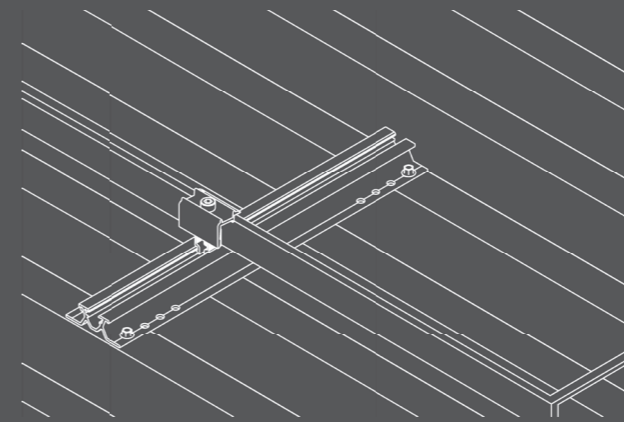
## KEY FEATURES



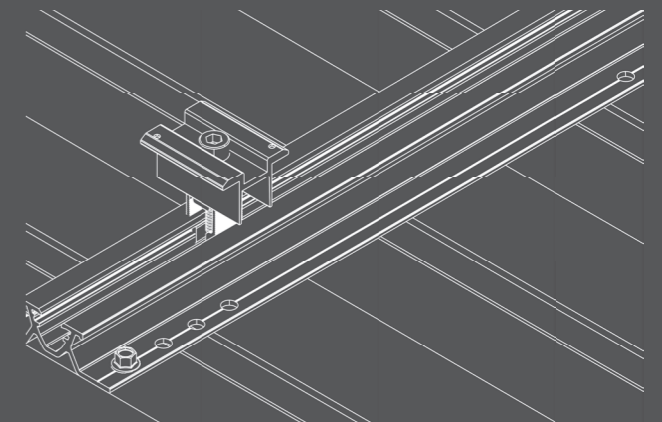
1.The unique structural design ensures maximum strength and support required for PV mounting.



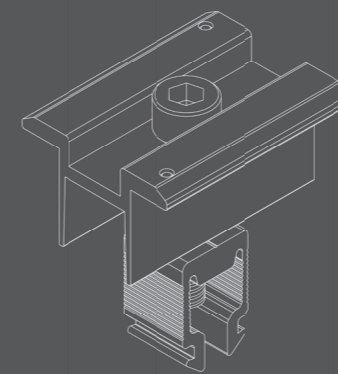
2. Direct attachment onto the metal roof.



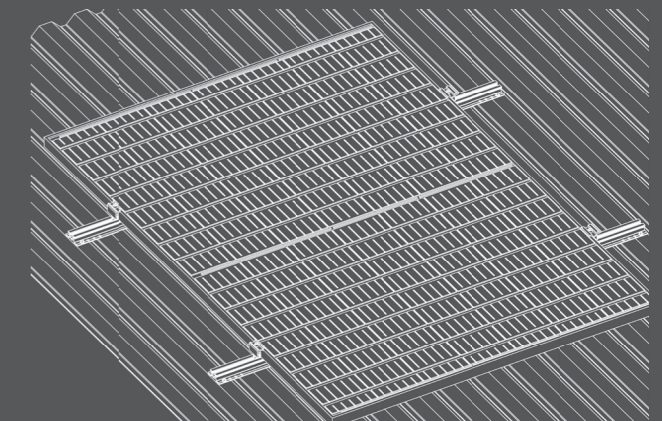
3.Each MINI Rail includes a EPDM rubber base pad that cushions the system against the mounting surface and provides waterproofing.



4.Panel clamps feature a clip in mechanism for easy installation onto the MINI rail.



5.The NOVA panel clamps incorporates a user-friendly Clip-in design and integrated earthing pins, eliminating the requirement for an additional grounding plate.



6.Simplest flush mount solution on the market.