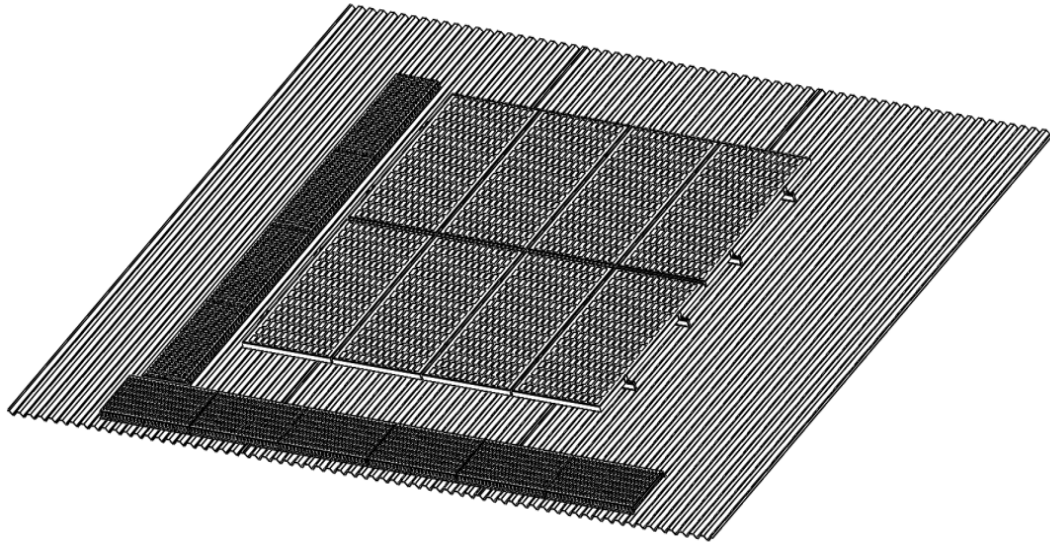


ZAM Roof Walkway Installation Instructions



GB | Use

Mounting system for installing framed PV modules with heights between 30 and 50 mm on pitched roofs with the following characteristics:

- Roof pitch 5° - 60° (solar fasteners), 20°-60° (Roof hooks)
- Single and double roman, plain tile, natural slate, and flat tiles with wooden substructures.
- PV-panel landscape and portrait oriented

Static calculation must exist and be considered according to local regulations.

Installation guidelines

Ensure that the roof construction is suitable for the introduction of forces at the fixing points and their subsequent transmission. In order to compensate thermal expansion, included a break every 12 meters when planning the PV-system. For module positioning/fastening points please refer to manufacturers recommendations. Please follow your local timber construction standard. Please do not use installed roof connections as ladder. If installation is located within 10km from the coast, we advice not to use zinc coated material. For further information please contact your sales representative or the technical department at Hopergy.

The structural stability of the PV-system must be verified before installation. The building must be able to support the additional weight safely.

Installation notes

Please read these installation instructions carefully before starting the installation and familiarise yourself with the system components. During the installation and in particular whilst working on the roof, ensure to work according to the relevant health and safety guidelines, safety guidelines and please follow the current rules and regulations for your corresponding region.

The individual installation instructions are merely recommendations in accordance with the current state of technology and are based on previous experiences of how Hopergy systems can be installed.

If any special characteristics of the roof or object need to be taken into account, we recommend you to consult specialists such as roofers or structural engineers where necessary. Please check that the applied manual which is up to date. All manuals are available in the download area at www.hopergy.com

Testing/certification:

- TÜV
- MCS012 (IK0197)
- ISO 9001

Applicable Documents

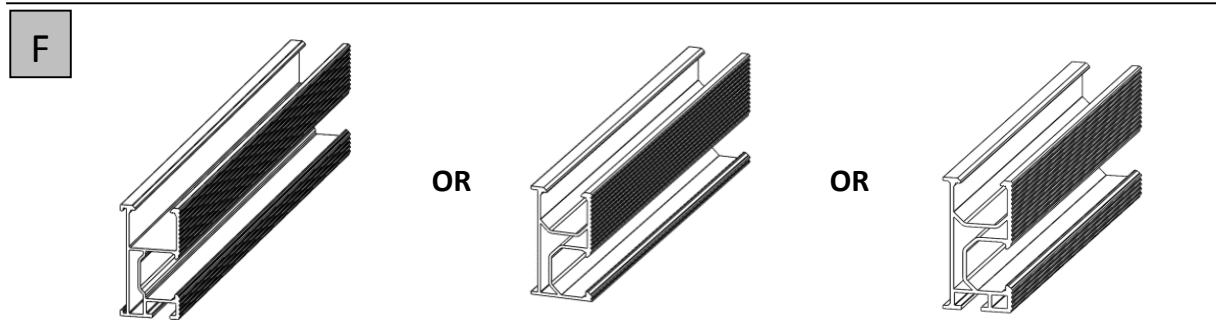
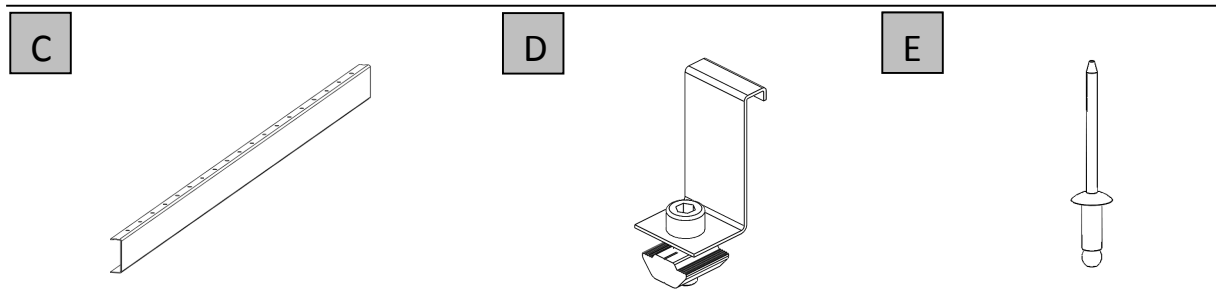
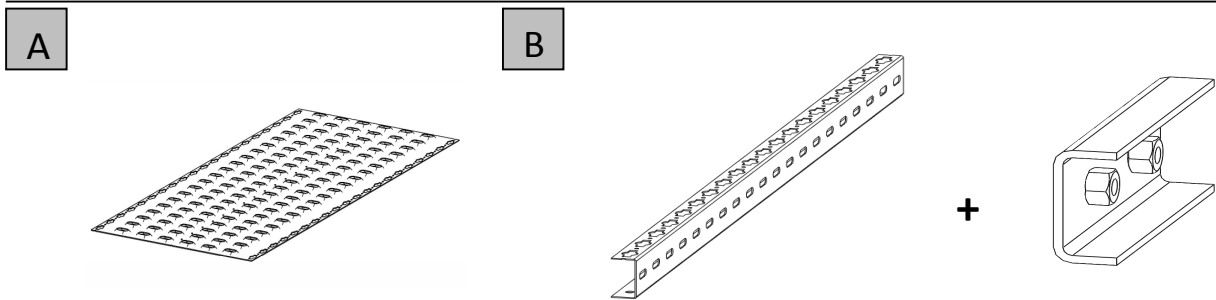
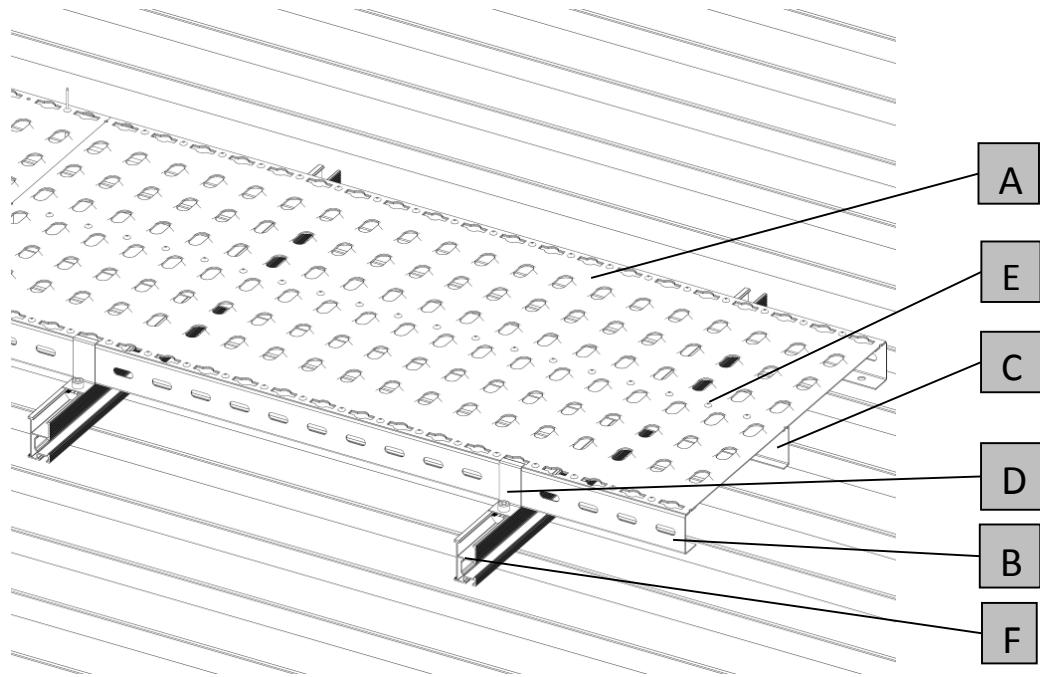
"General installation, maintenance and assembly instructions"
"Safety Instructions for Installation Instructions"
"Warranty and Disclaimer."
These documents are available at www.hopergy.com

Warranty:

The warranty only applies if an original and complete Hopergy system is used, with a layout designed by Hopergy.

Hopergy is not accountable for the roofs capability to maintain the introduced forces. Please check the roofs compatibility with a static engineer.

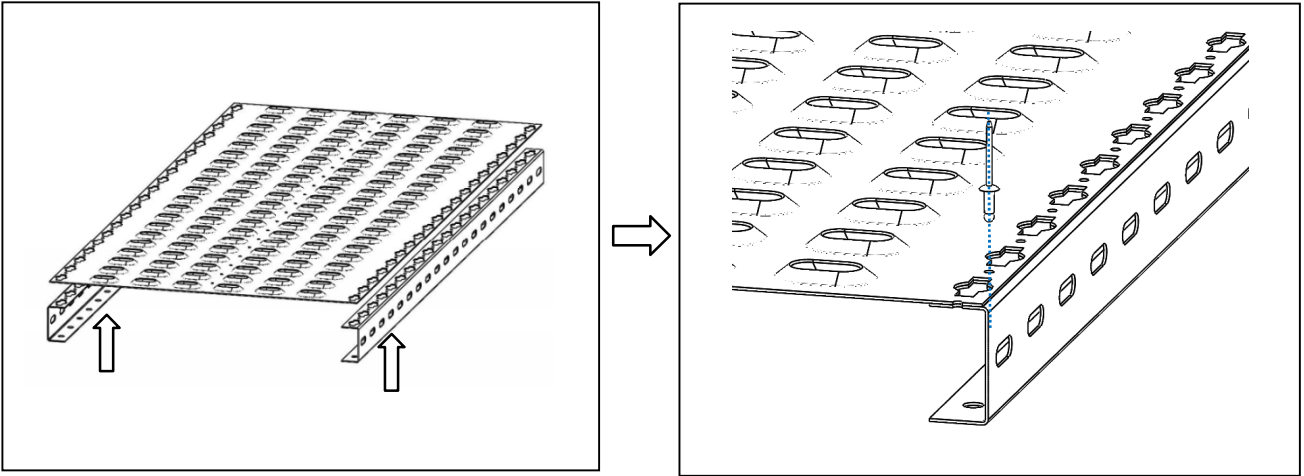
TIN ROOF MOUNTING System



WALKWAY LAYOUT

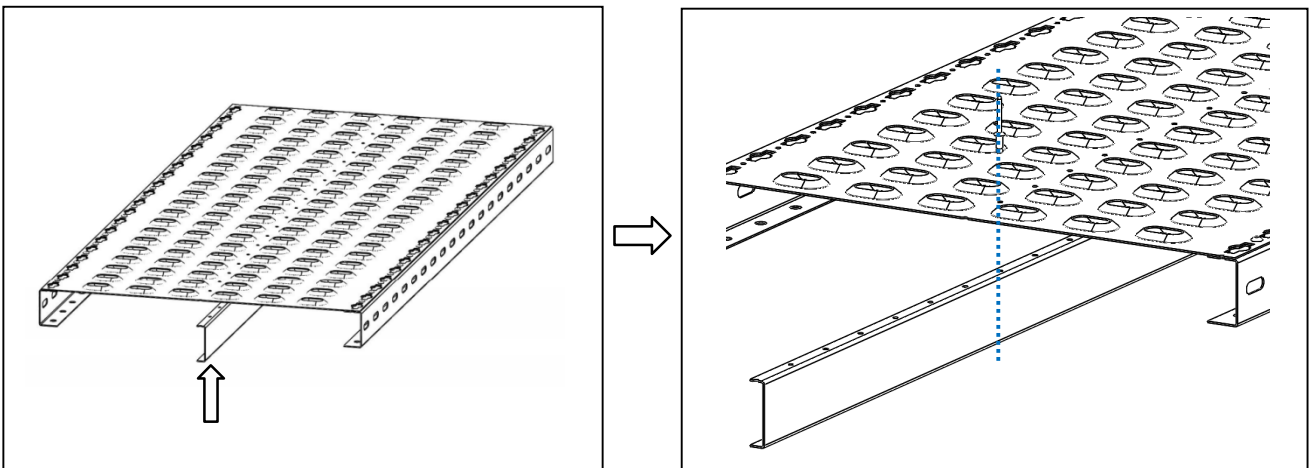
Select 1 Install Walkway

① Install walkway C-shaped steel base

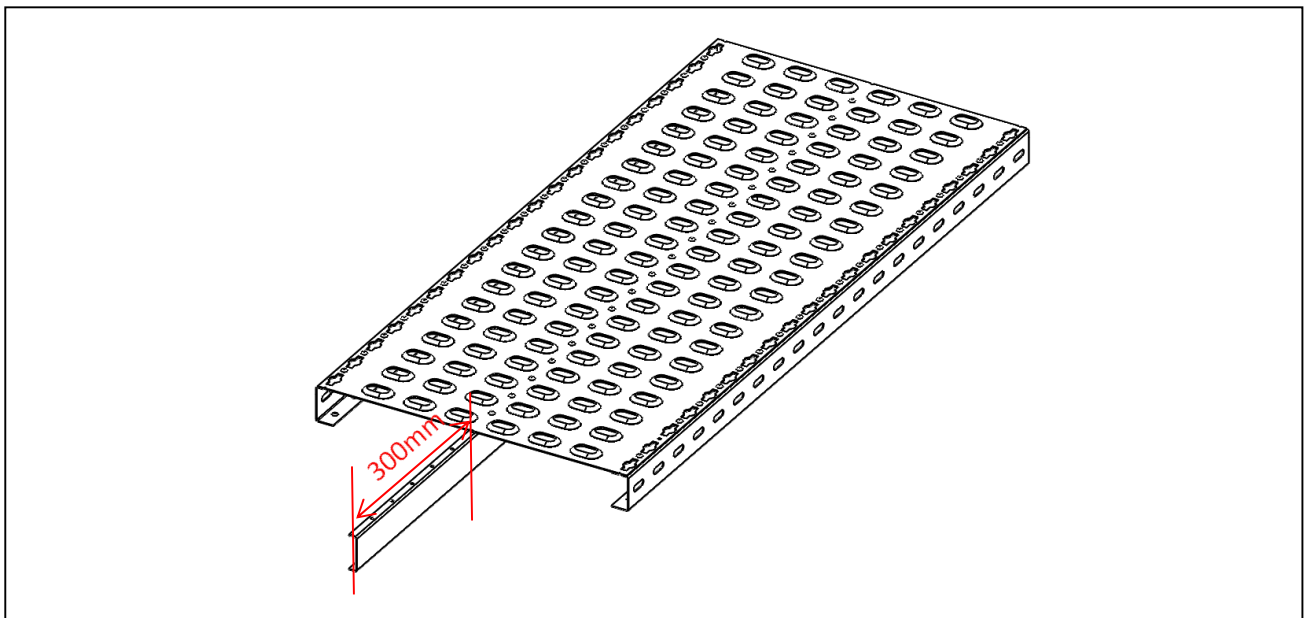


Connect the walkway pedal with the C-shaped steel base by rivets

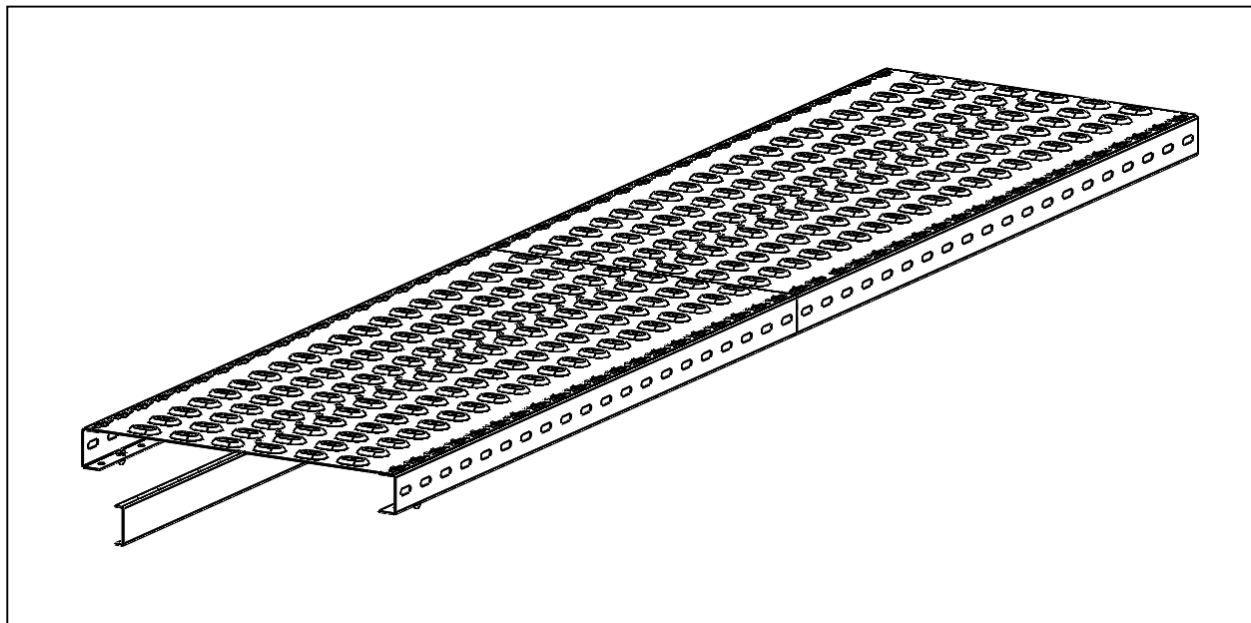
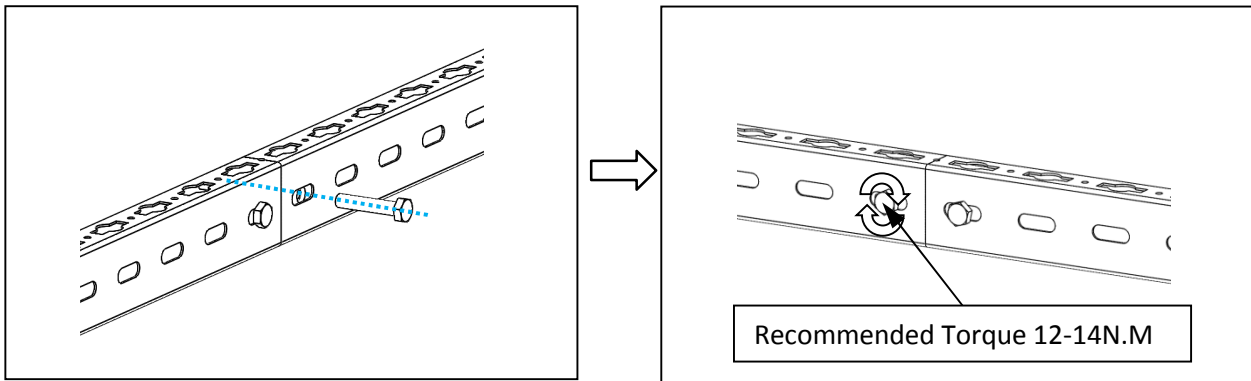
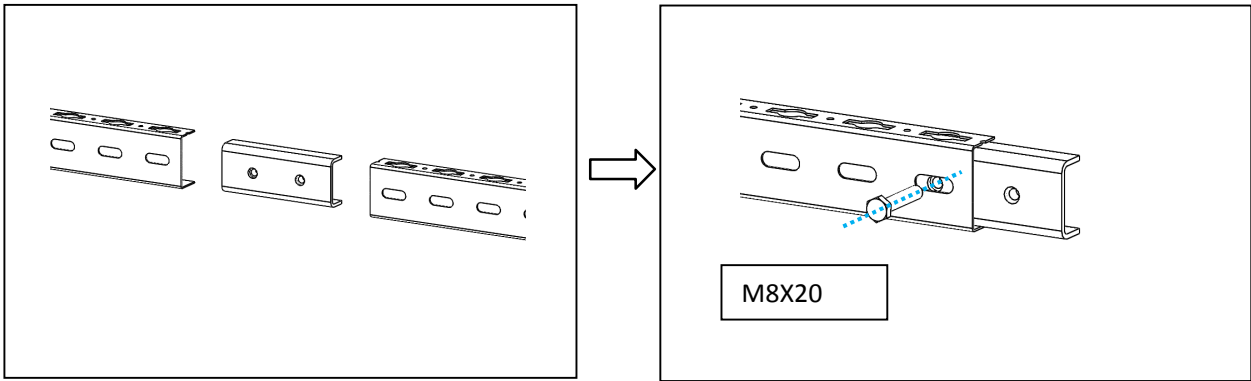
② Install walkway Beams



Walkway board fixed the center beam with Rivets
(suggestion: the center beam extend beyond the walkway board 300mm)



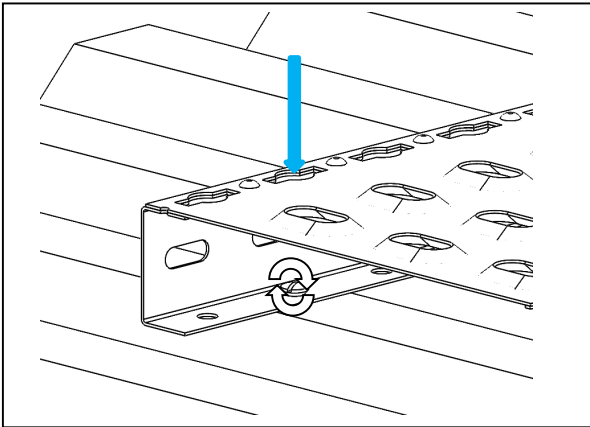
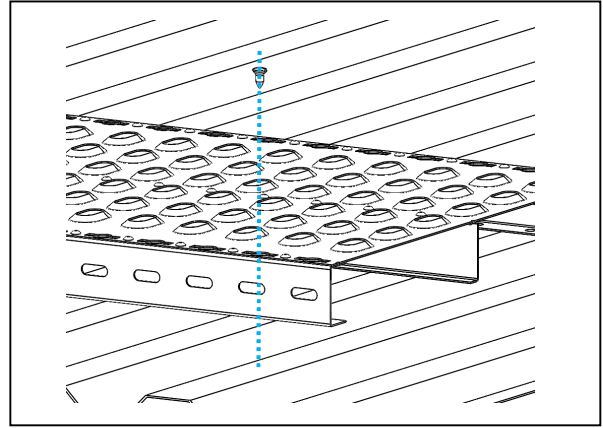
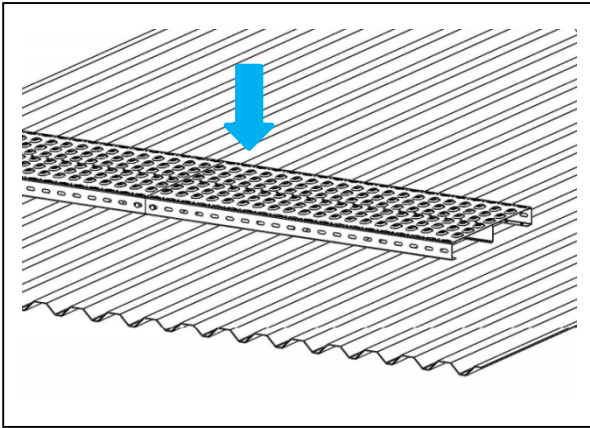
③ Connect two walkways



Noted:
The part center beam which extend beyond the Walkway can be cut directly

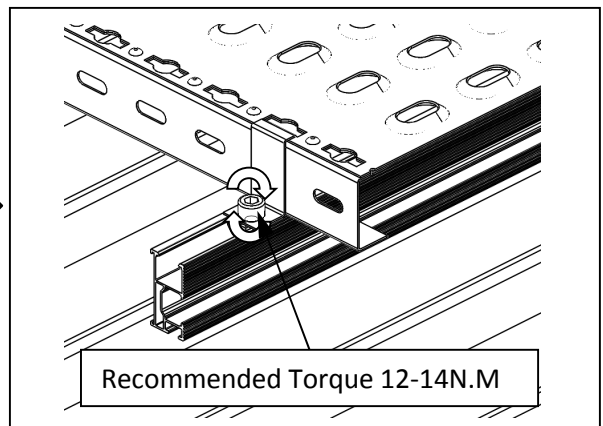
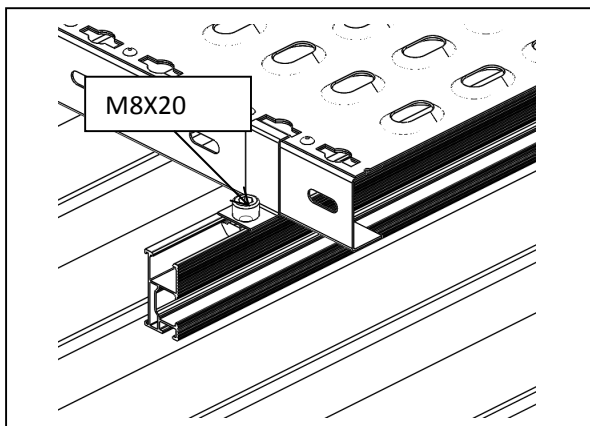
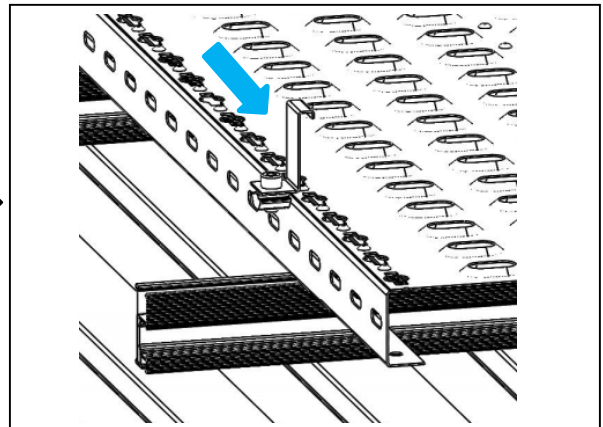
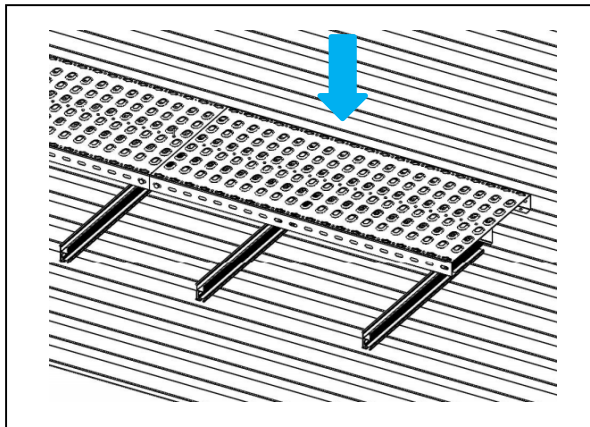
Select 2 The Walkway is installs to the roof

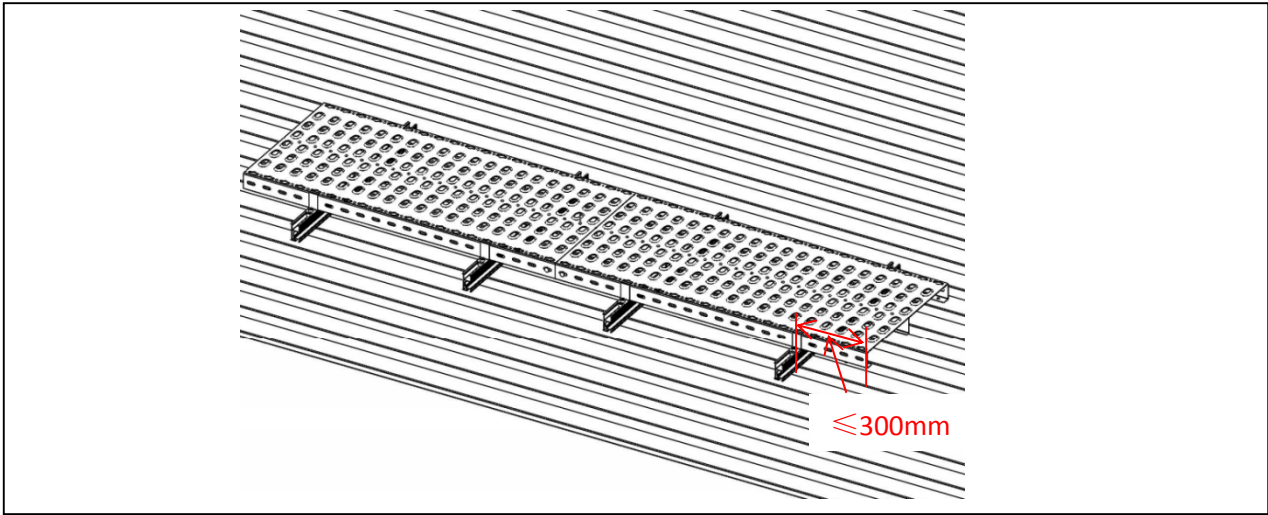
① Install the walkway on the roof



Tighten the self-tapping screws

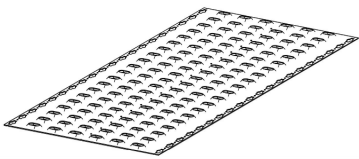
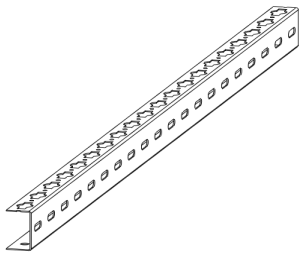
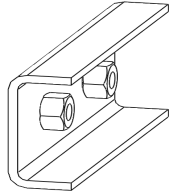
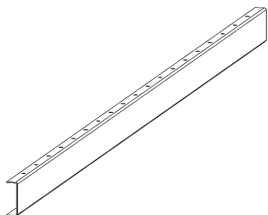
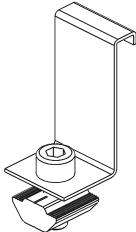

② Install the walkway on the rails

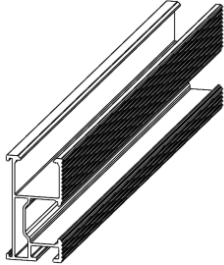
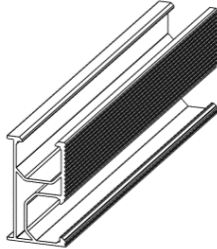
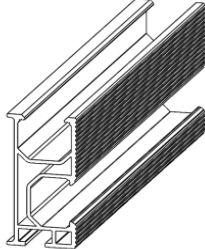




Noted:
The surface of the Walkway is sharp, pay attention to safety, Wear gloves when installing.

COMPONENTS

Part name	Walkway Pedal W450	Walkway C-shaped Steel Base	Walkway Connector
Part No.	HOP-L47-0000	HOP-L48-0000	HOP-L50-0115
Figure			
Part name	Walkway Middle Beam	Walkway End Clamp	Open Oval Head Rivets
Part No.	HOP-L49-0000		D4*11
Figure			

Part name	SSC Rail	SSB Rail	SSA Rail		
Part No.	RA-SSC-0000	RA-SSB-0000	RA-SSA-0000		
Figure		OR		OR	



XIAMEN HOPERGY PHOTOVOLTAIC TECHNOLOGY CO. LTD.
 Address: 630 Tonghong Road, Tongan District, Xiamen 361100 CHINA
 Phone :+86-592-5689685 Fax : 86-592-5638096
 Mail : info@hopergy.com Web : www.hopergy.com