

NOVA METAL ROOF SOLUTION TIN INTERFACES

PRODUCT SHEET

NOVA SERIES PRODUCTS

NOVA offers an extensive selection of Tin Interfaces that caters to a wide range of metal roof profiles. Our non-penetrative solution provides a simple and cost-effective method for mounting solar panels. Each Tin Interface is developed and engineered to ensure a secure and precise fit in accordance with the roof profiling.



FAST & EASY
INSTALLATION



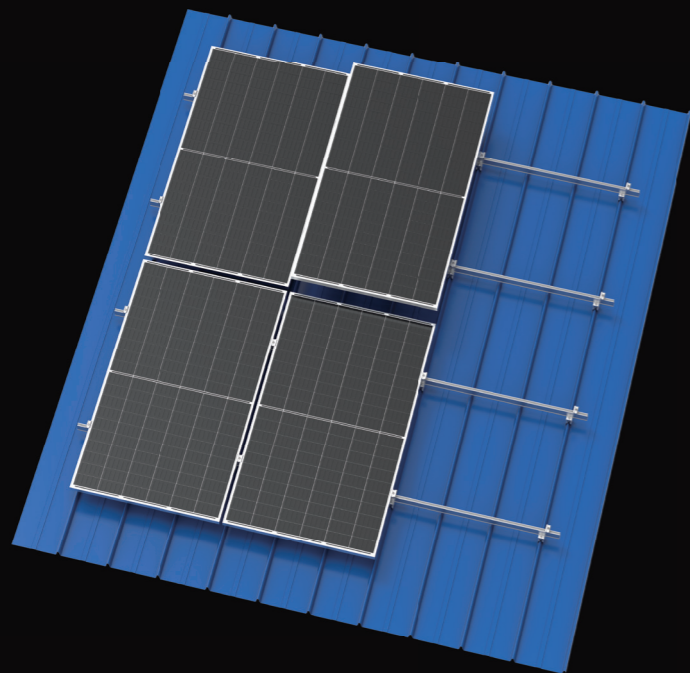
COST EFFECTIVE
SOLUTIONS



QUALITY
ASSURED



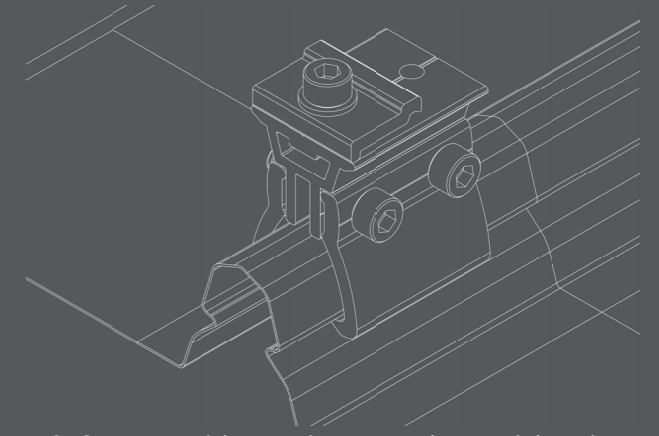
15 YEARS
WARRANTY



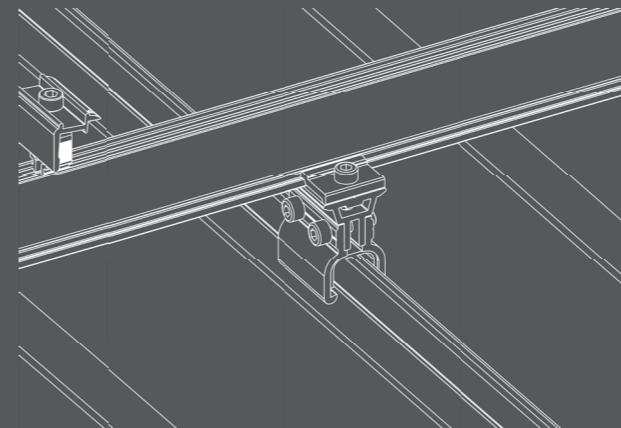
KEY FEATURES



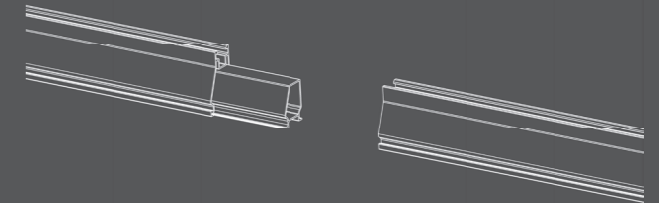
1. Constructed from high quality, structural grade alloys, ensuring corrosion resistant for durability and longevity.



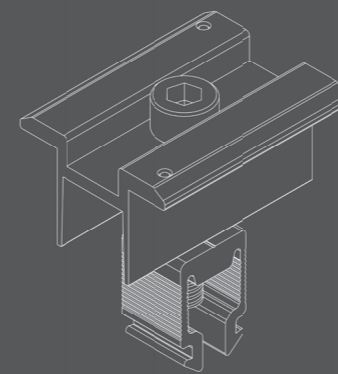
2. Compact with superior strength to weigh ratio, providing the perfect fit to metal roof's profile. EPDM rubber padding included providing extra friction.



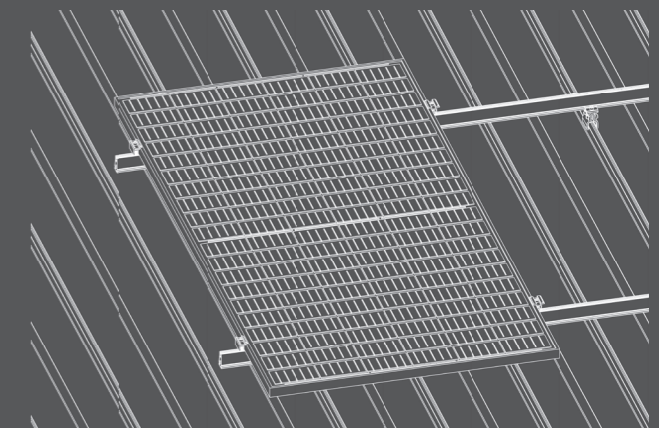
3. Unique clamp system for an effortless rail attachment.



4. The internal rail joiner ensures earth continuity between rails without obstructing component attachment. It seamlessly slides inside the Nova rail, allowing for a smooth and uninterrupted join.



5. The NOVA panel clamps incorporate a user-friendly Clip-in design and integrated earthing pins, eliminating the requirement for an additional grounding plate.



6. NOVA Panel Clamps offer a universal fit, accommodating panel thickness ranging from 30mm to 40mm.