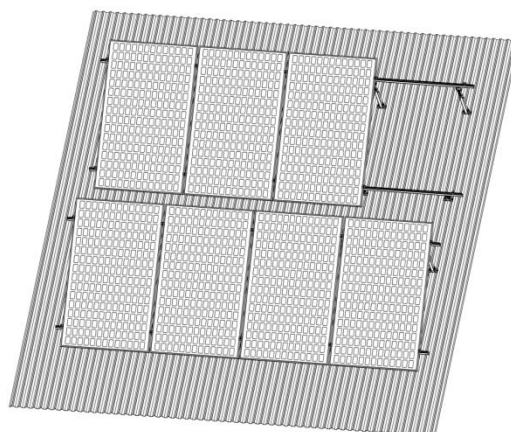


Roof Mounting System NOVA Adjustable Tilt Leg Installation instructions



GB | Use

Mounting system for installing framed PV modules with heights between 30 and 50 mm on pitched roofs with the following characteristics:

- Roof pitch 5° - 60° (solar fasteners), 20° - 60° (Roof hooks)
- Single and double roman, plain tile, natural slate, and flat tiles with wooden substructures.
- PV-panel landscape and portrait oriented

Static calculation must exist and be considered according to local regulations.

Installation guidelines

Ensure that the roof construction is suitable for the introduction of forces at the fixing points and their subsequent transmission. In order to compensate thermal expansion, include a break every 12 meters when planning the PV-system. For module positioning/fastening points please refer to manufacturers recommendations. Please follow your local timber construction standard. Please do not use installed roof connections as ladder. If installation is located within 10km from the coast, we advise not to use zinc coated material. For further information please contact your sales representative or the technical department at Hopergy.

The structural stability of the PV-system must be verified before installation. The building must be able to support the additional weight safely.

Installation notes

Please read these installation instructions carefully before starting the installation and familiarise yourself with the system components. During the installation and in particular whilst working on the roof, ensure to work according to the relevant health and safety guidelines, safety guidelines and regulations for your corresponding region.

The individual installation instructions are merely recommendations in accordance with the current state of technology and are based on previous experiences of how Hopergy systems can be installed.

If any special characteristics of the roof or object need to be taken into account, we recommend you to consult specialists such as roofers or structural engineers where necessary. Please check that the applied manual which is up to date. All manuals are available in the download area at www.hopergy.com

Testing/certification:

- TÜV
- MCS012 (IK0197)
- ISO 9001

Applicable Documents

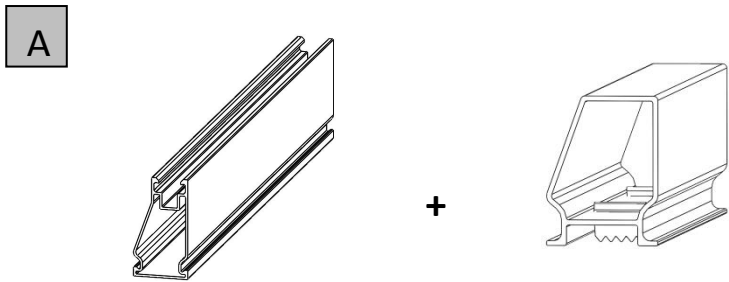
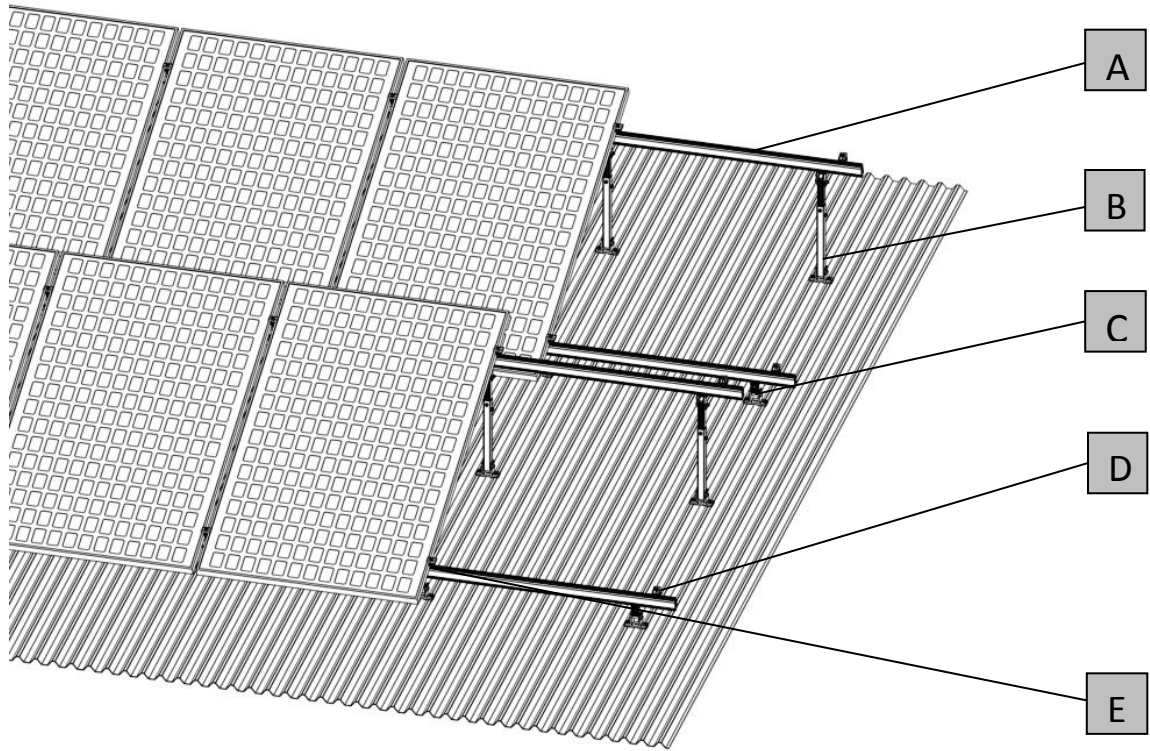
"General installation, maintenance and assembly instructions"
"Safety Instructions for Installation Instructions"
"Warranty and Disclaimer."
These documents are available at www.hopergy.com

Warranty:

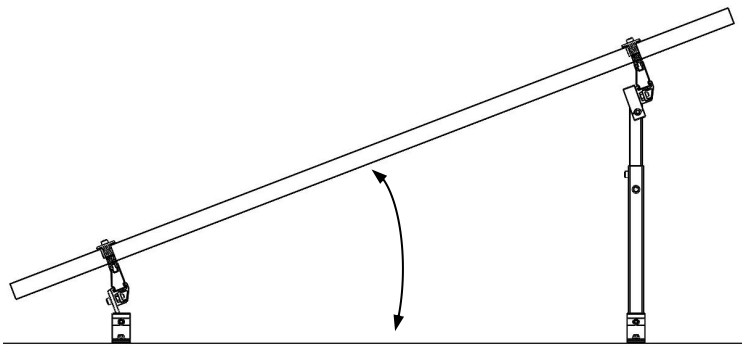
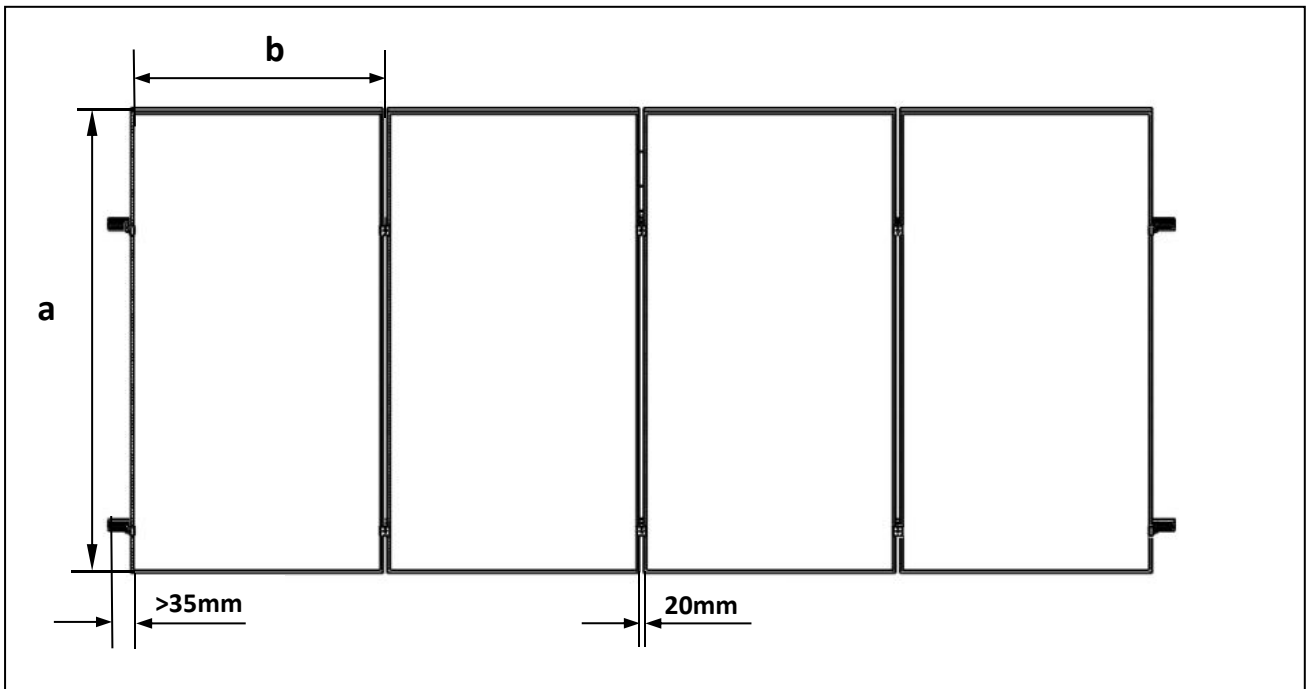
The warranty only applies if an original and complete Hopergy system is used, with a layout designed by Hopergy.

Hopergy is not accountable for the roofs capability to maintain the introduced forces. Please check the roofs compatibility with a static engineer.

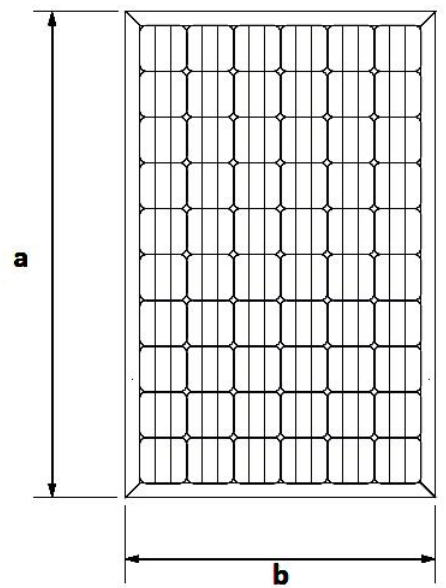
TIN ROOF MOUNTING System



SOLAR PANELS LAYOUT

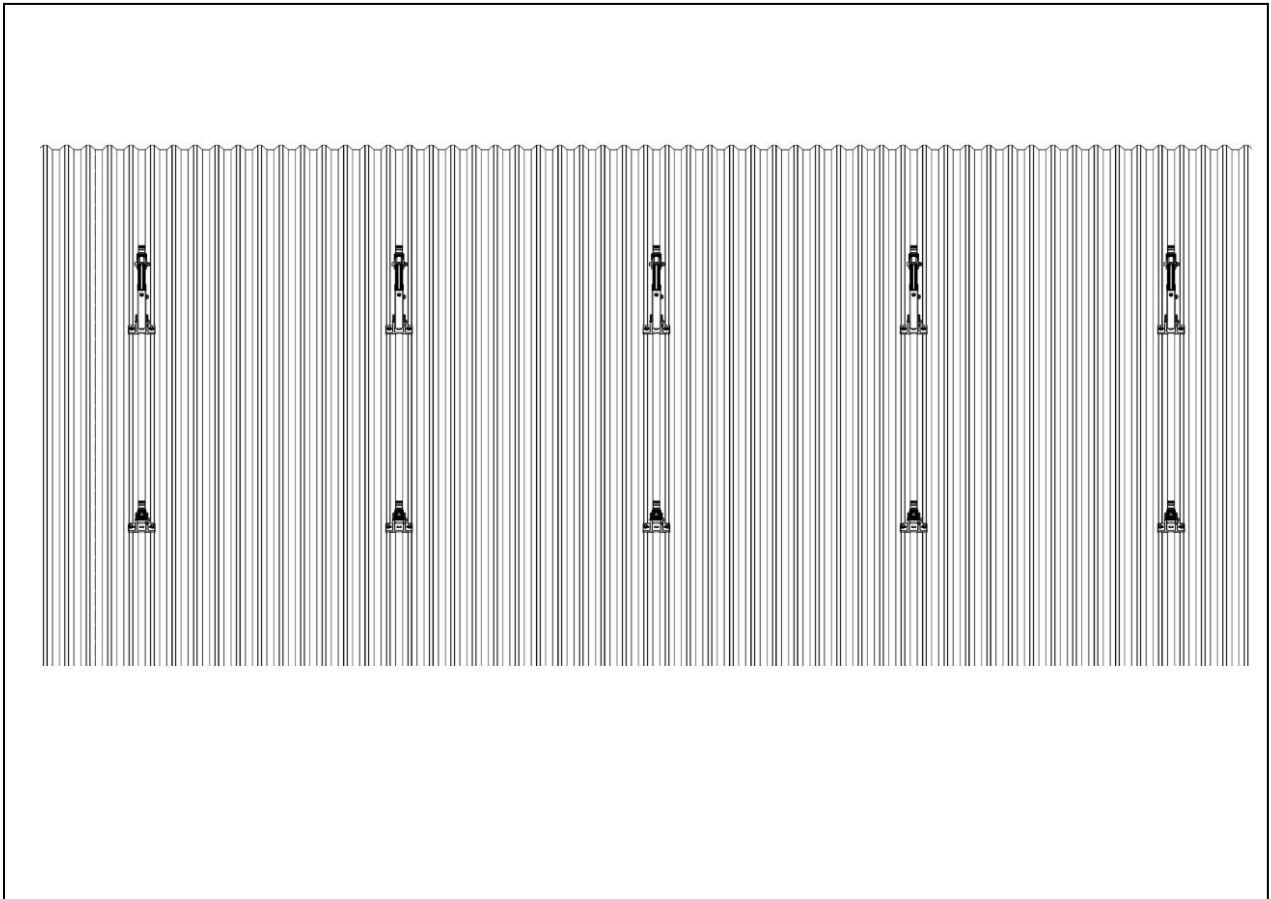
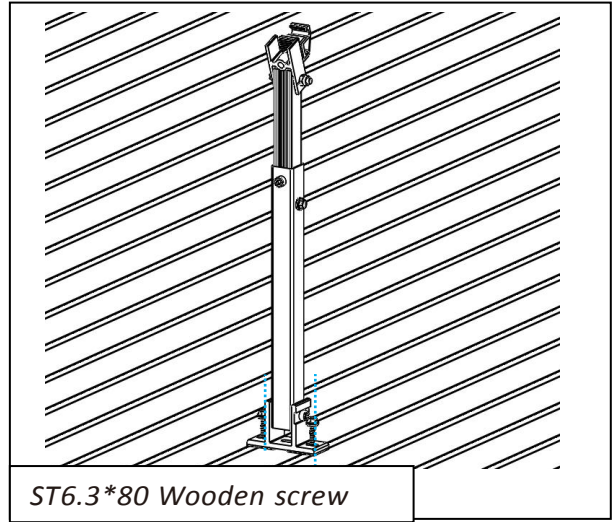
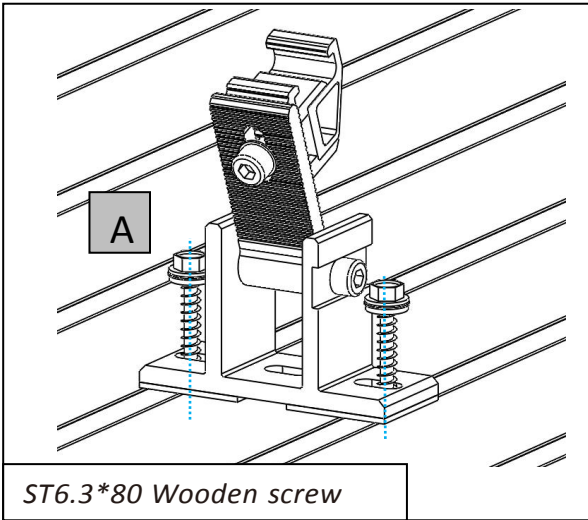


10°-15° or 15°-30° or 30°-60°



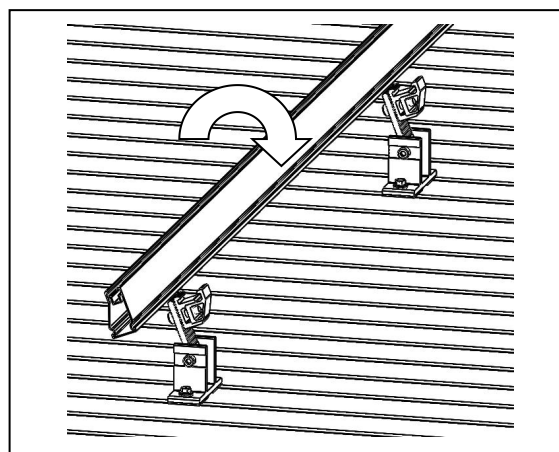
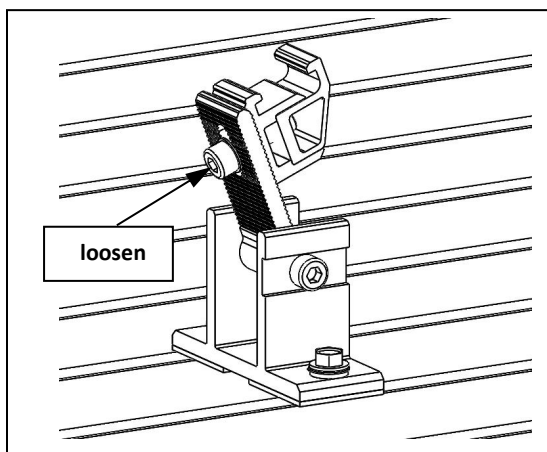
Solar panels layout

STEP 1. NOVA Adjustable Tilt Leg Kit System

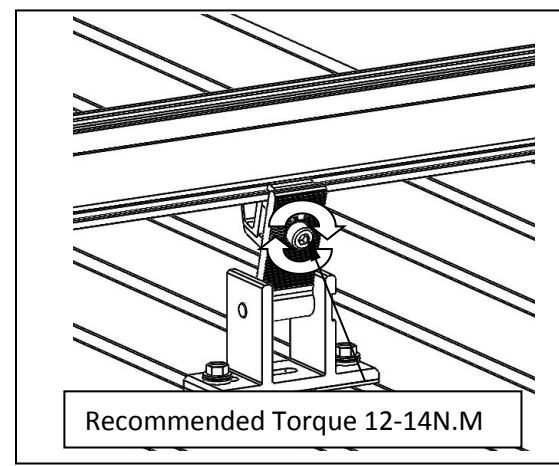
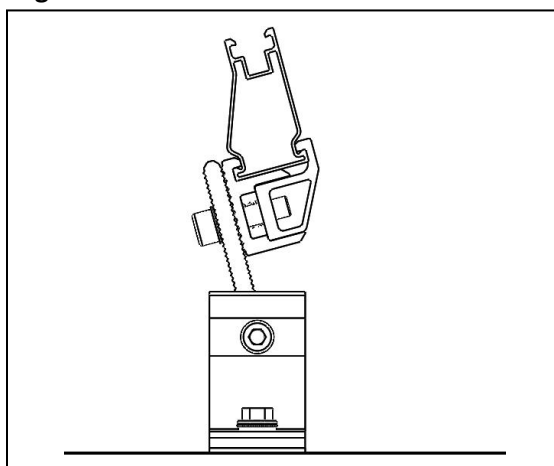


STEP 2. Loosen the M8 bolt, then place the rail into the rail clamp

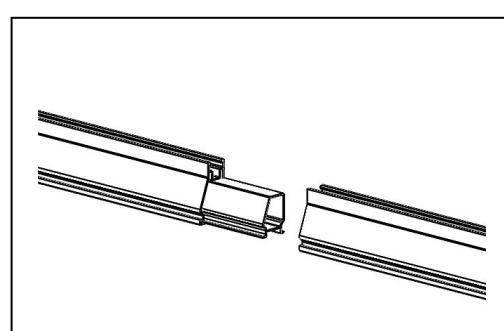
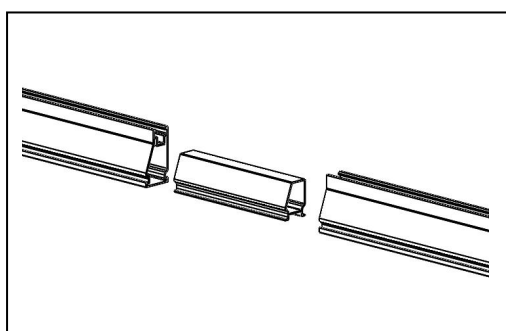
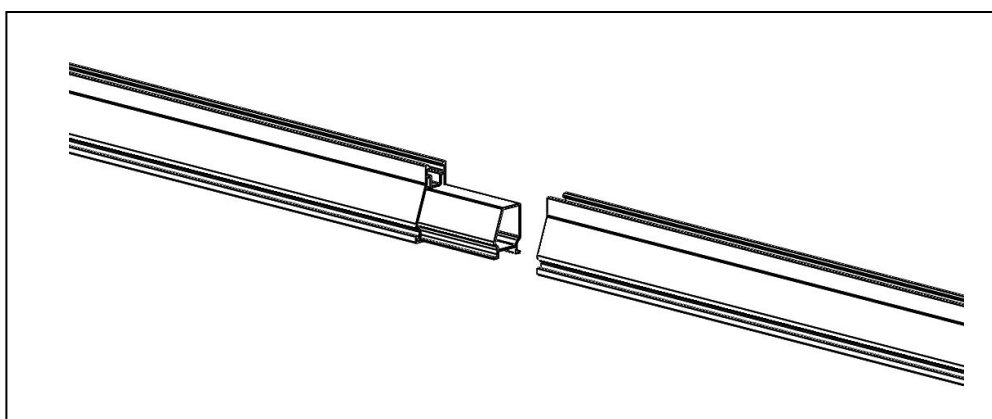
① . Loosen the clamp



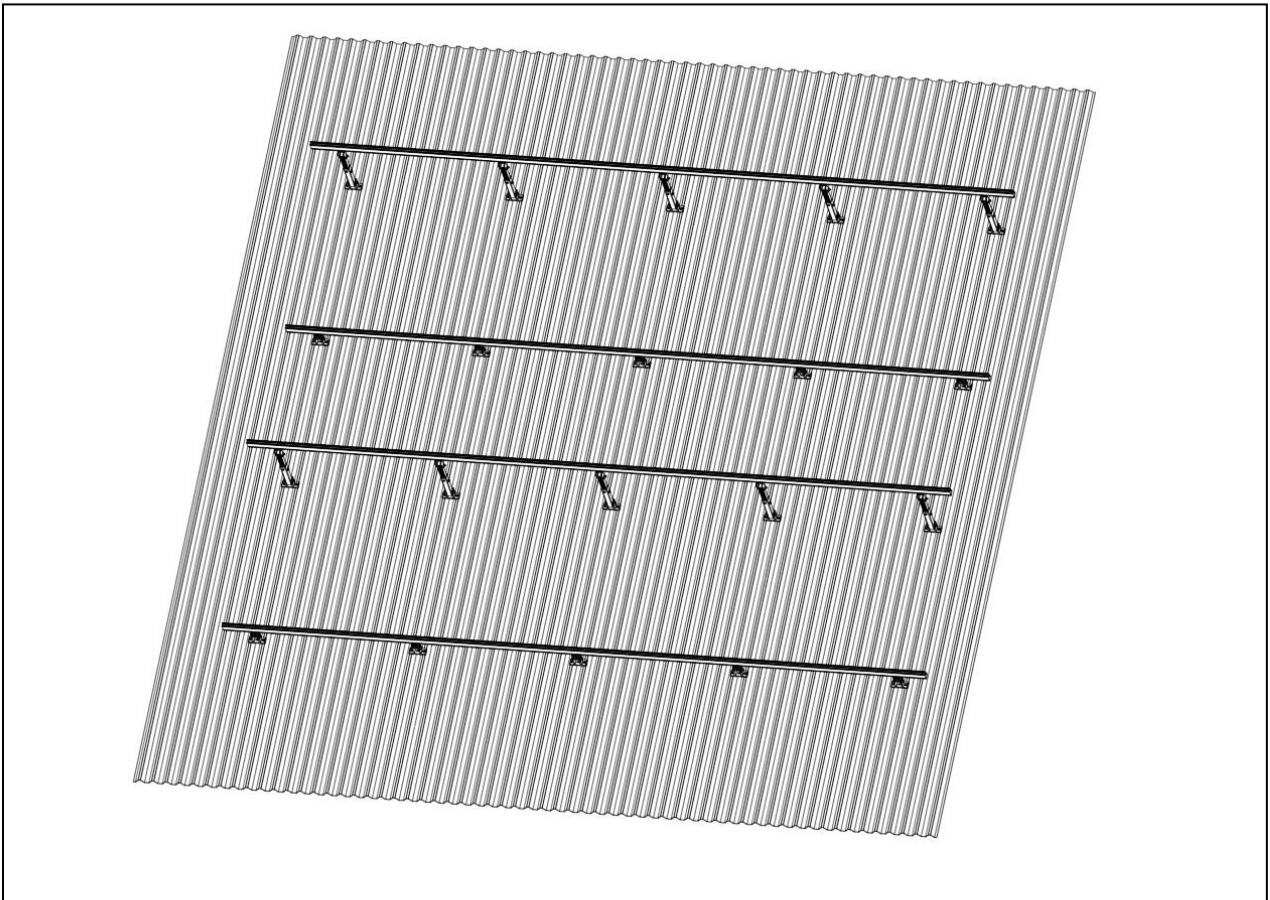
② . Tighten the bolt



STEP 3. Join the rails by sliding the rail joiner into the rail

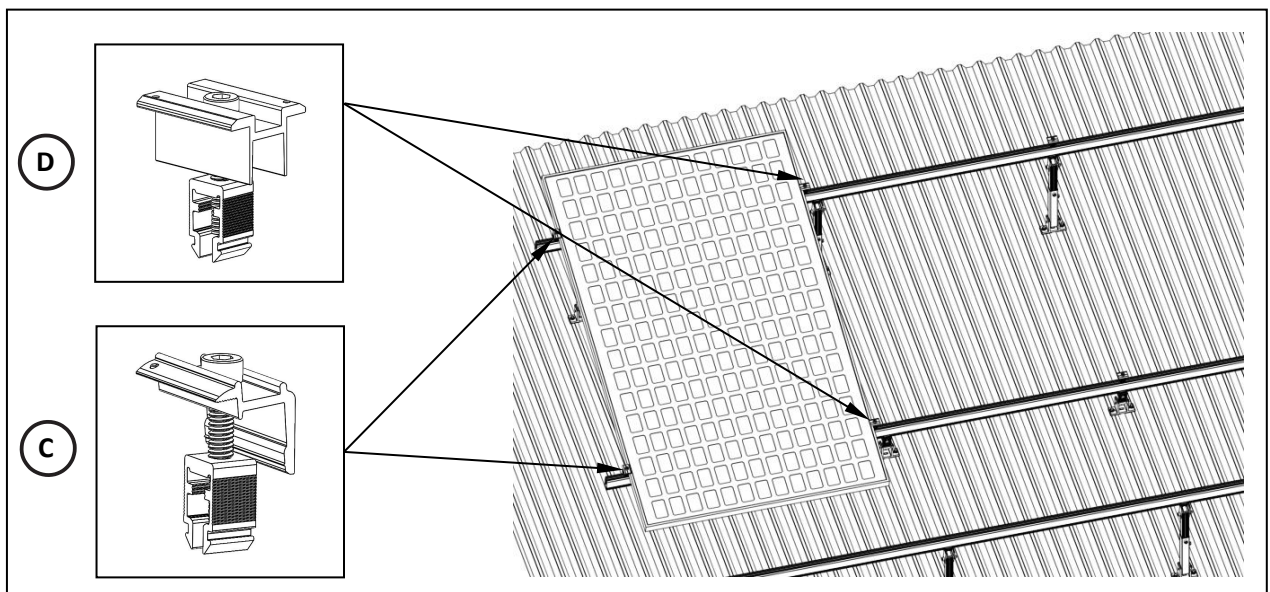


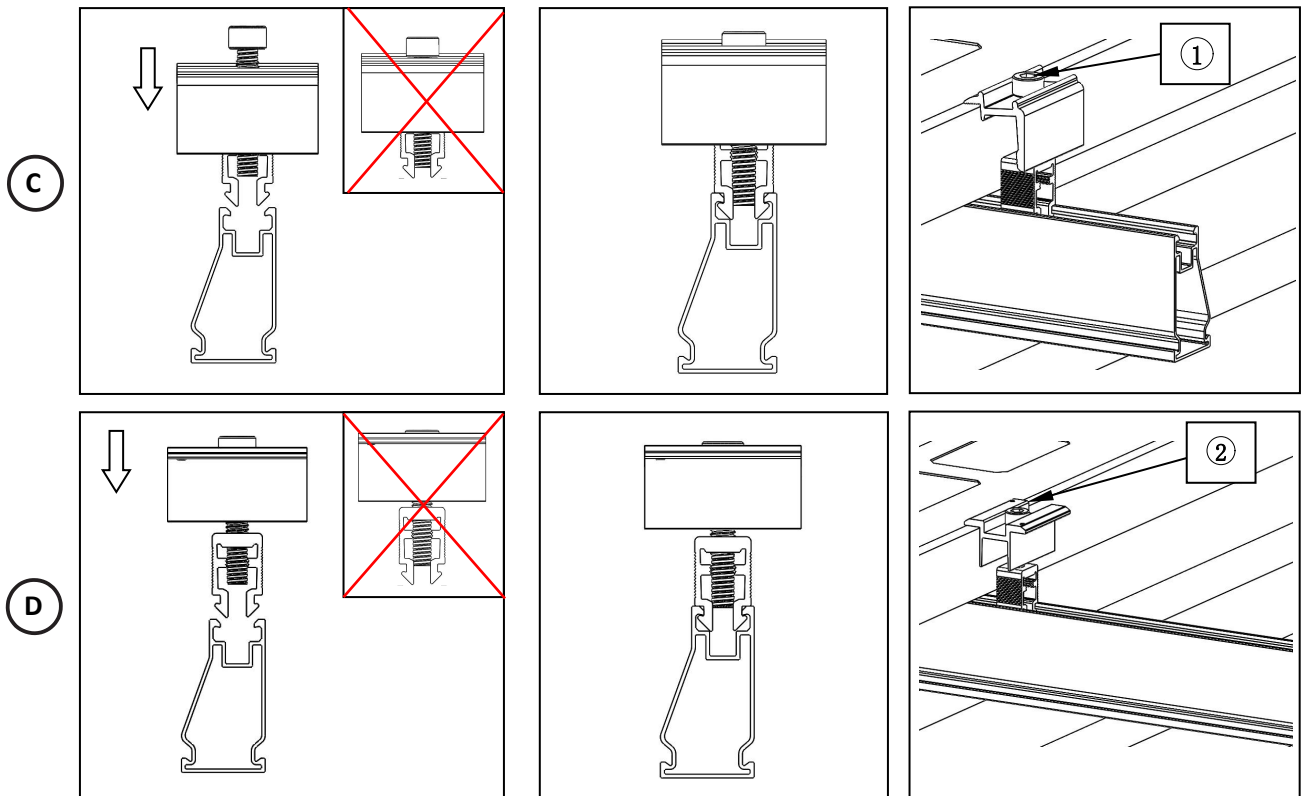
STEP 4. Array layout



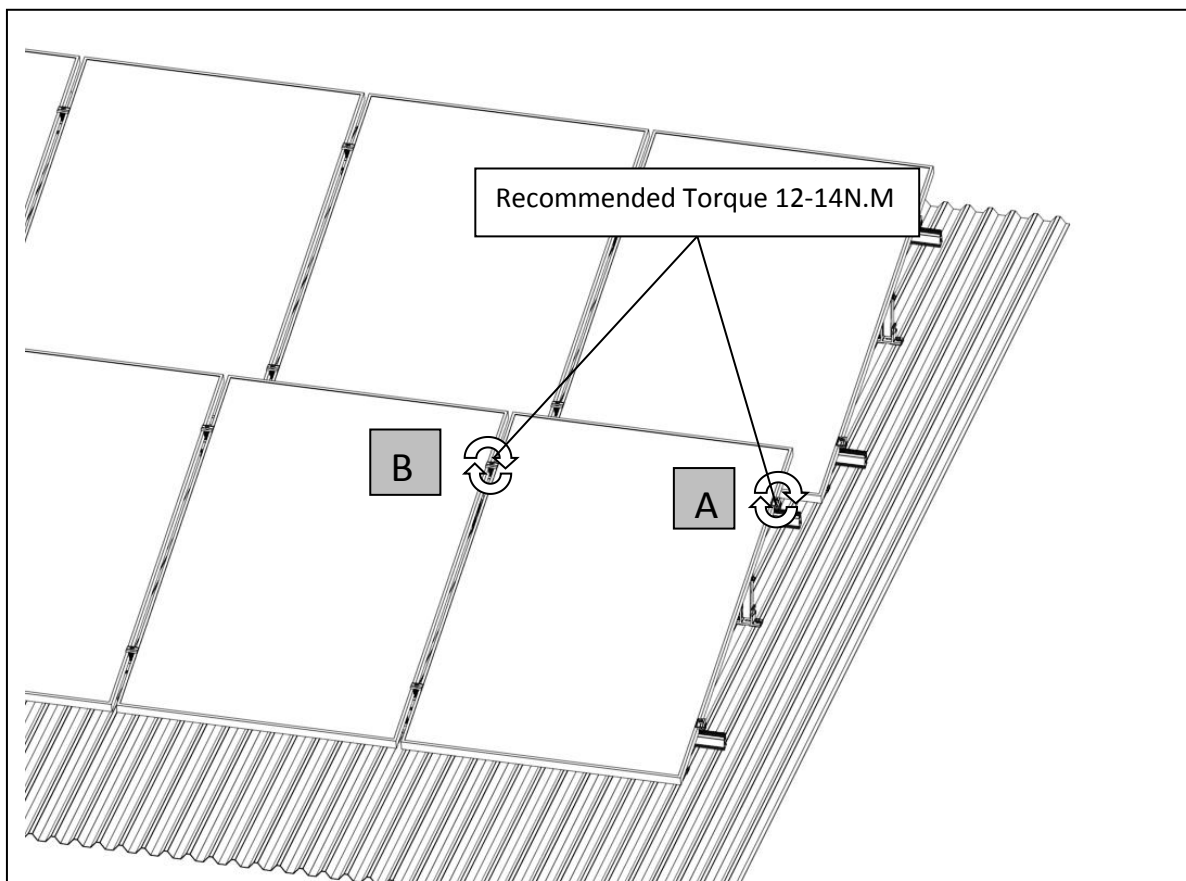
STEP 5. Installing NOVA PV module clamps;

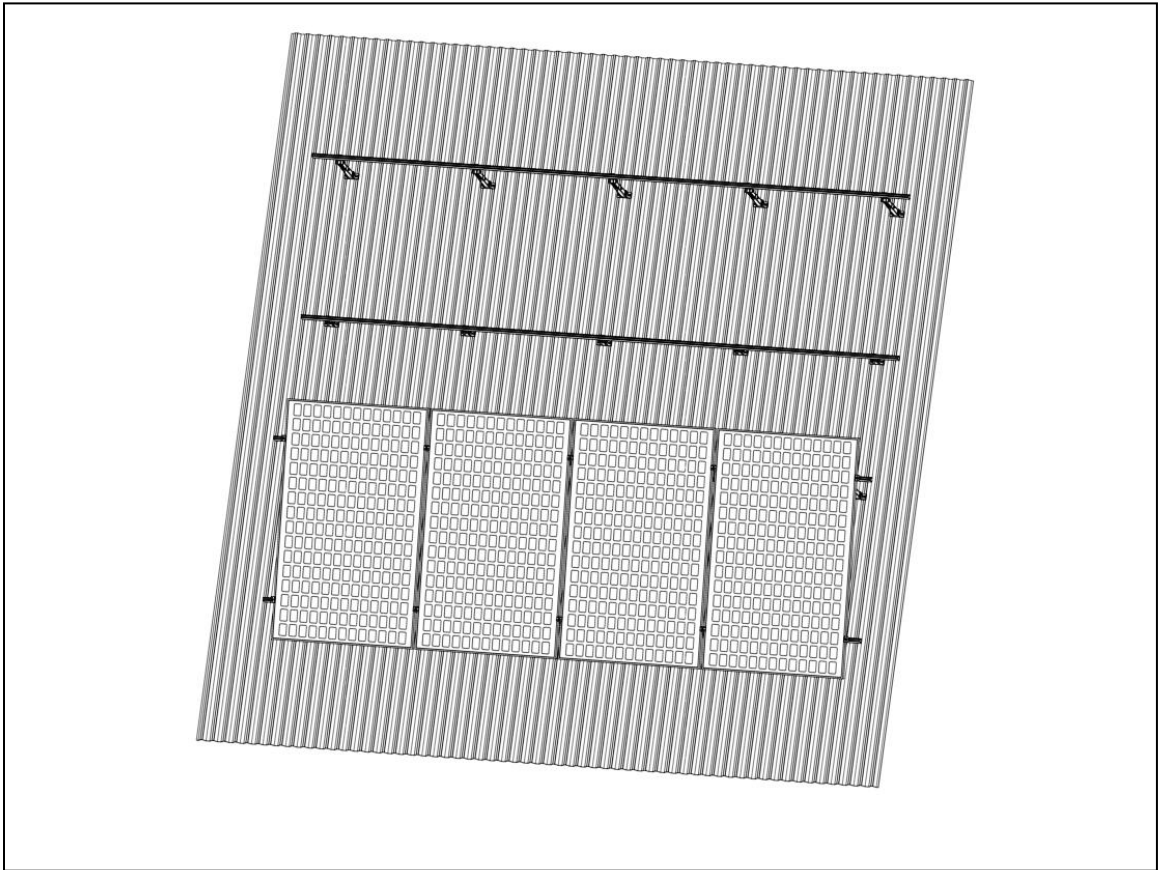
When installing the first panel, adjust the position of the solar panel according to the technical drawings, fix the panel on the rails using the module clamps.



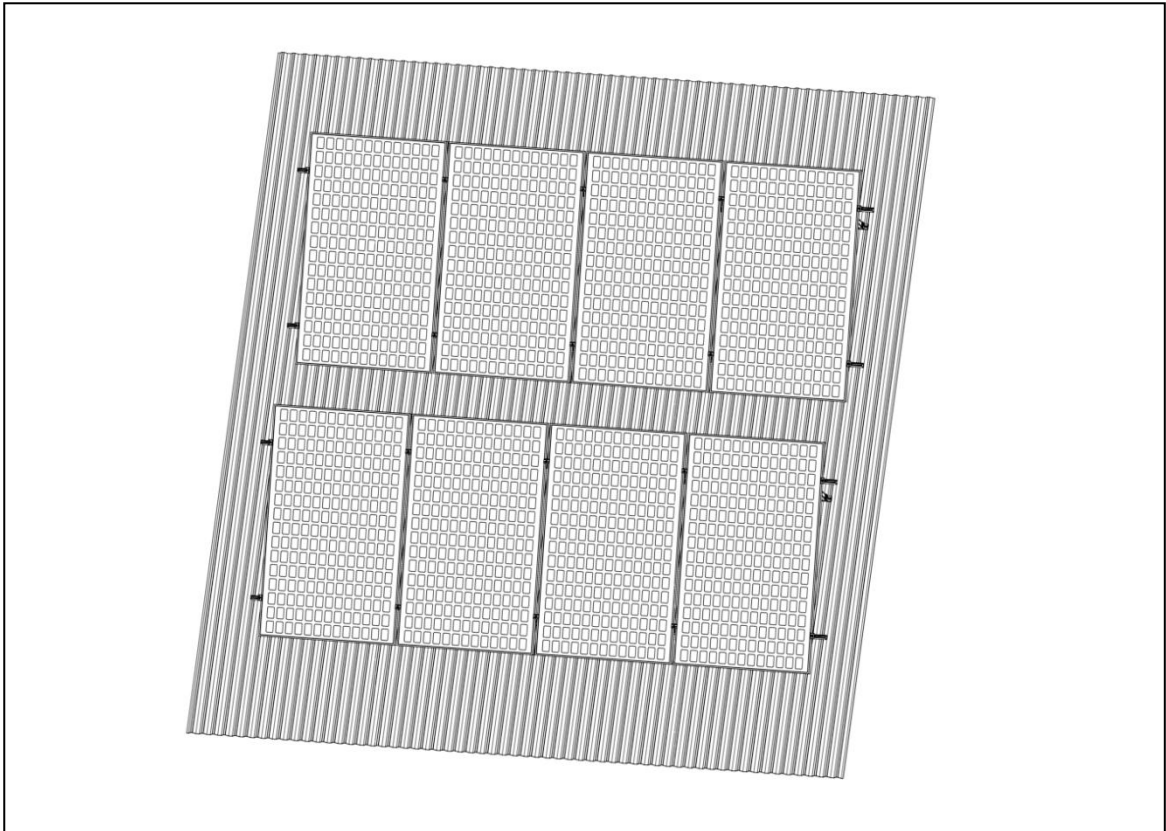


- Attention:**
- 1.Ensure the PV Module clamps are pushed up against the solar panel.
 - 2.Tighten the bolt slowly, until the clamp in holding position.
 - 3.Then use 12-14N.M torque to tighten the bolt.



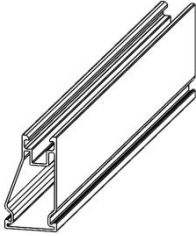
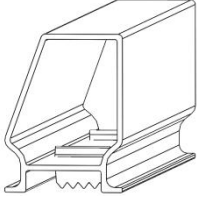
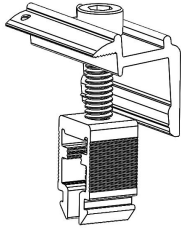
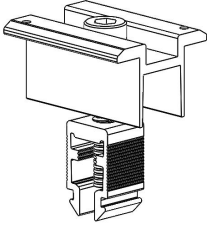
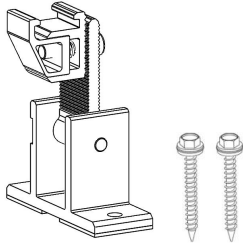
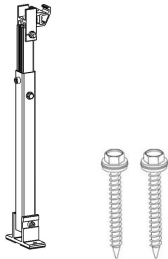


©Please install panels by row(vertical direction).



©Solar panel installation completed. Double check ensure all bolts be tighten

Components

Part name	New NOVA A Rail	New NOVA A Inner Rail Joiner	
Part No.	HOP-F55-0000	SK-NOVA	
Figure			
Part name	end clamp	inner clamp	
Part No.	PC-NEC40-NS6	PC-NIC40-NS6	
Figure			
Part name	NOVA Adjustable Front Leg	NOVA Adjustable Rear Leg	
Part No.	TRB-ARL-F00-RFN	TRB-AFL-RFN	
Figure			

Hopergy

XIAMENHOPERGYPHOTOVOLTAICTECHNOLOGYCO. LTD.

Address: 630 Tonghong Road, Tongan District, Xiamen 361100 CHINA

Phone :+86-592-5689685 Fax : 86-592-5638096

Mail : info@hopergy.com

Web : www.hopergy.com