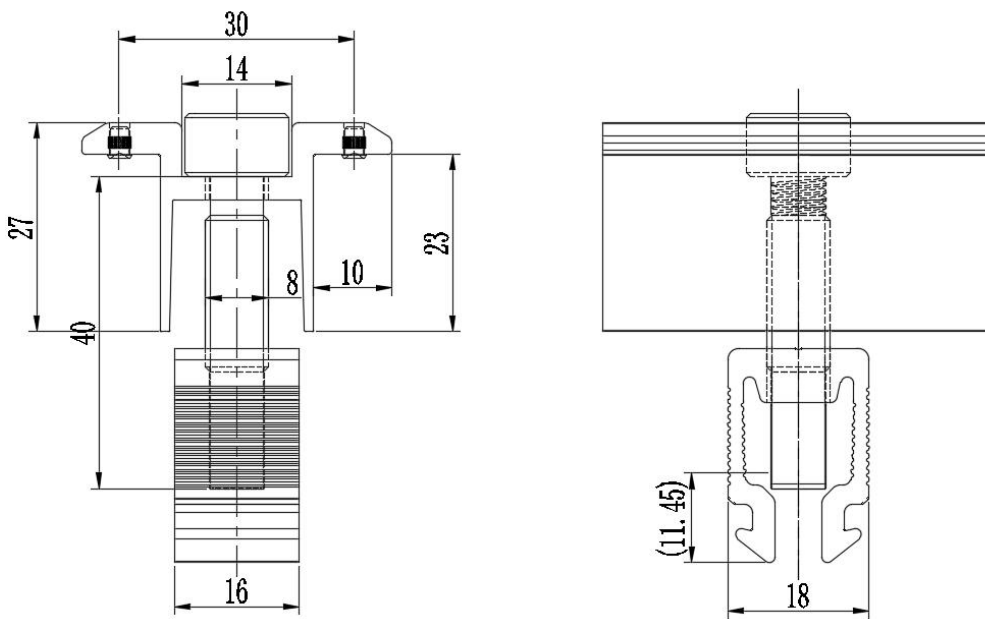


Product Specification

PC-NIC40-NS6 Ver: 1.0

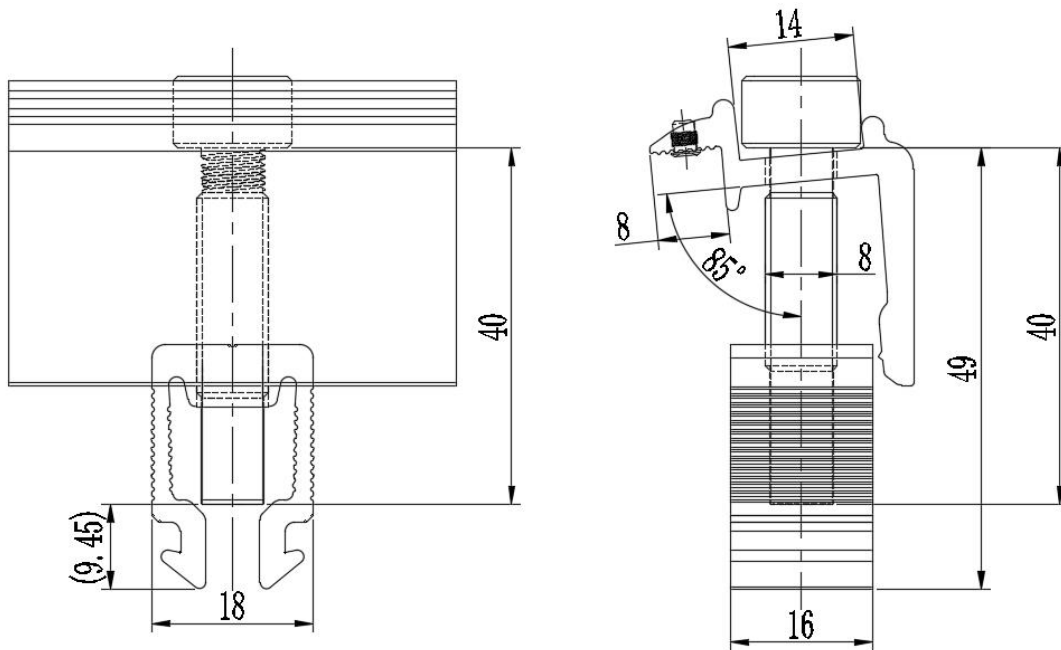


Name	NOVA Universal Panel Inner Clamp (30-40mm)
Stock Code	PC-NIC40-NS6
Weight(g)	61
BOM	HOP-G44-0050 (AL6005-T5) x 1 HOP-L37-0040 (SUS304) x 1 HOP-G48-0016 (AL6005-T5) x 1 HOP-L26-0004 (SUS304) x 2
Packing	100pcs
Carton size	260×205×180



Product Specification

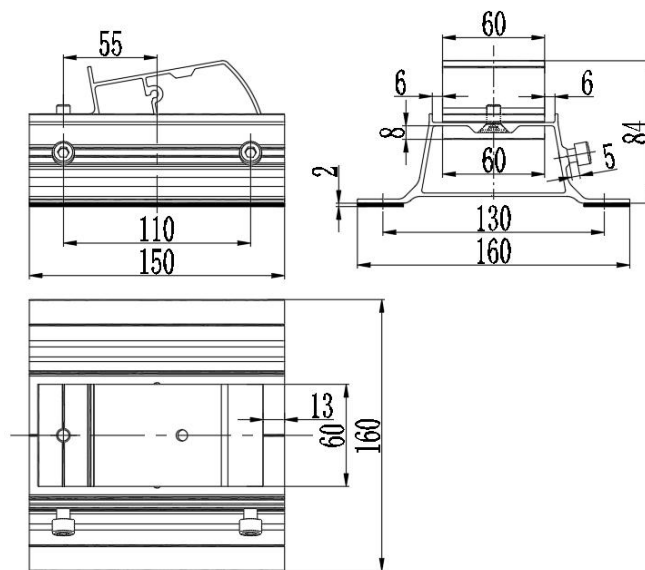
PC-NEC40-NS6 Ver: 1.0



Name	NOVA Universal Panel End Clamp (30-40mm)
Stock Code	PC-NEC40-NS6
Weight(g)	57
BOM	HOP-G45-0050 (AL6005-T5) x 1
	HOP-L37-0040 (SUS304) x 1
	HOP-G48-0016 (AL6005-T5) x 1
	HOP-L26-0004 (SUS304) x 1
Packing	100pcs
Carton size	260×205×180

Product Specification

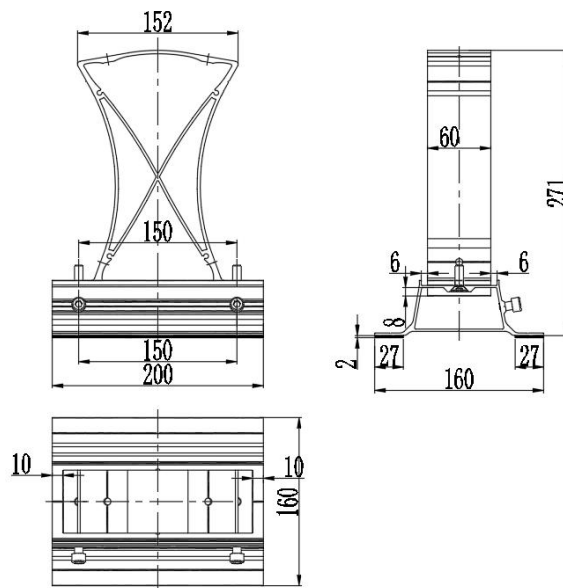
HOP-TRB-F23 Ver: 1.0



Name	NOV 10° NOVA Module Front foot support
Stock Code	TRB-F23
Weight(g)	558
BOM	<ul style="list-style-type: none"> HOP-H94-0060 (6005-T5) x 1 HOP-H93-0150 (6005-T5) x 1 M8*16 Hexagon socket countersunk head machine screw (SUS410) x 2 M8*10 Hexagon socket head cap screws (SUS304) x 2 HOP-K52-0027 (EPDM) x 1
Packing	
Carton size	

Product Specification

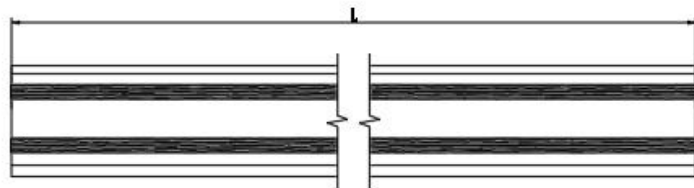
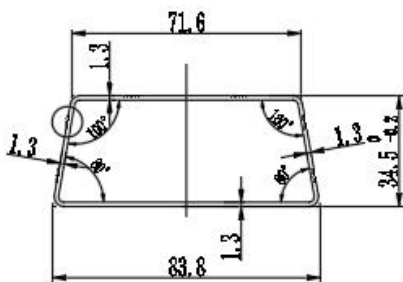
HOP-TRB-F22 Ver: 1.0



Name	NOV 10° NOVA Module Rear foot support
Stock Code	TRB-F22
Weight(g)	1214
BOM	HOP-H92-0060 (6005-T5) x 1
	HOP-H93-0200 (6005-T5) x 1
	M8*25 Hexagon socket countersunk head machine screw (SUS410) x 2
	M8*10 Hexagon socket head cap screws (SUS410) x 2
	HOP-K51-0027 (EPDM) x 1
Packing	
Carton size	

Product Specification

HOP-RA-NMR -0000 Ver: 1.0

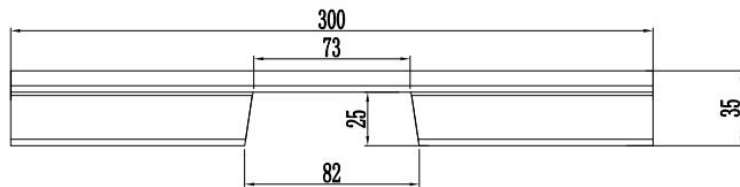
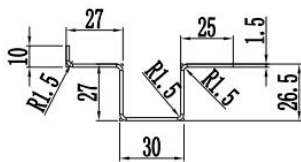


Name	NOVA Moudel Rail
Stock Code	RA-NMR-0000
Weight(kg/m)	0.759
BOM	HOP-F67-0400 (AL6005-T5) x 1
Packing	
Carton size	



Product Specification

HOP-M29-0000 Ver: 1.0



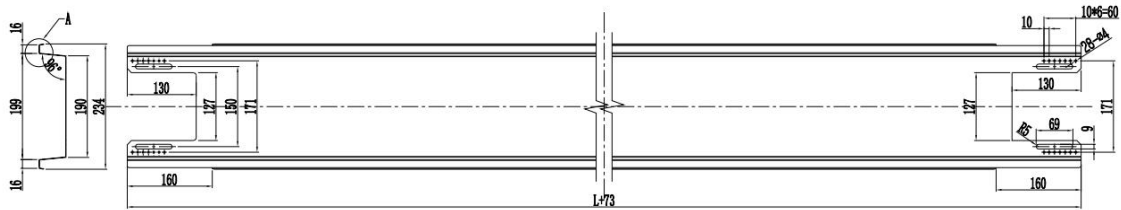
Name	Ballast tray
Stock Code	M29-0000
Weight(kg)	0.392

BOM HOP-M29-0000 (ZM(ReI ≥ 420) x 1

Packing	
Carton size	TBA

Product Specification

HOP-M32-0000 Ver: 1.0



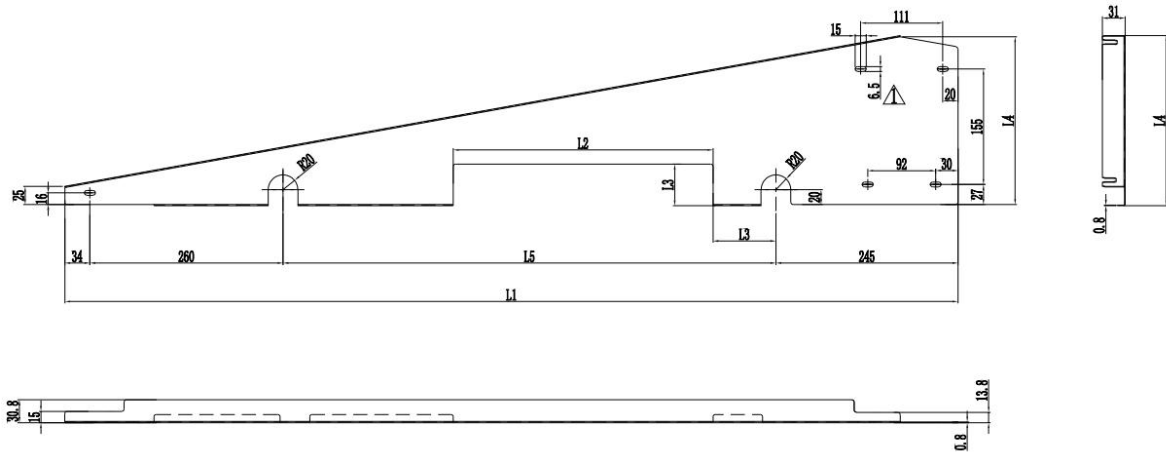
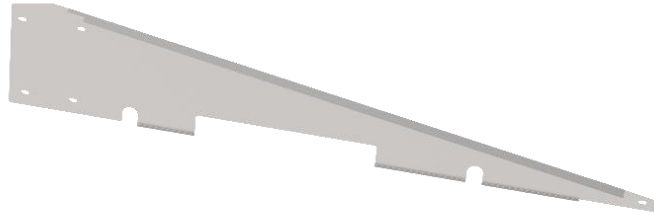
Name	NOVA U-Ballast
Stock Code	M32-0000
Weight(kg)	2.107 kg/m

BOM HOP-M32-0000 (ZM(Rel \geq 420) x 1

Packing	
Carton size	TBA

Product Specification

HOP-M31-0031 Ver: 1.0

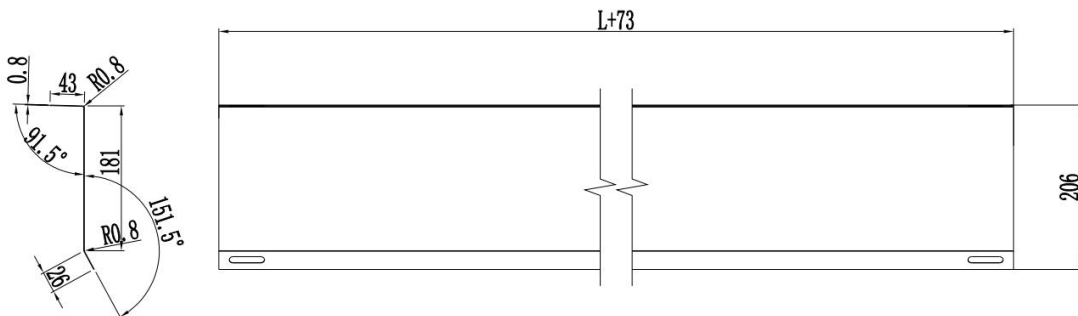


Name	Side wind deflector
Stock Code	M31-0000
Weight(kg)	
BOM	HOP-M31-0031 (ZM(ReI≥420) x 1
Packing	
Carton size	TBA



Product Specification

HOP-M30-0000 Ver: 1.0



Name	Back wind deflector
Stock Code	M30-0000
Weight(kg)	1.565 kg/m

BOM HOP-M30-0000 (ZM(ReI ≥ 420) x 1

Packing	
Carton size	TBA